



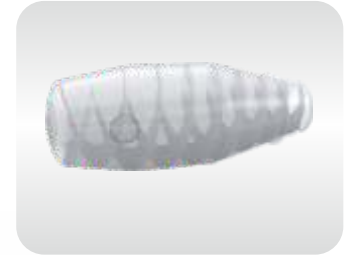
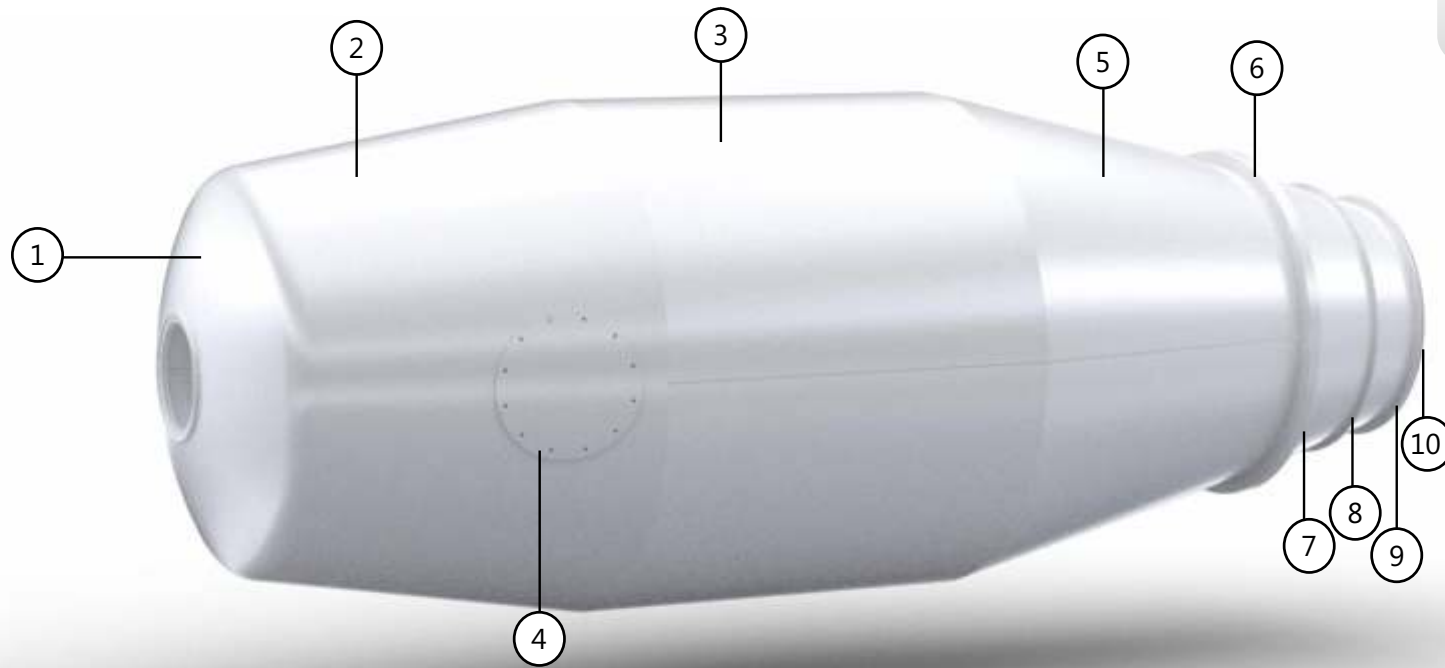
Transmikser Yedek Para Katalođu / *Truck Mixer Spare Parts Catalogue*

| | |
|--|--|
| Transmikser.....3 <i>Truck Mixer</i> | Motor Koruma.....67 <i>Motor Bar</i> |
| Kazanlar.....5-14 <i>Drums</i> | Şasi.....69 <i>Chassis</i> |
| Su Sistemi.....15-32 <i>Water Works</i> | Merdiven.....71 <i>Ladder</i> |
| Oluk Grubu.....33-44 <i>Chutes</i> | Kontrol Kutusu.....73 <i>Control Panel</i> |
| Ekolojik Kapak.....45 <i>Ecological Cover</i> | Gaz Kumanda Sistemi.....75 <i>Single Lever Control</i> |
| Krikolar.....47-50 <i>Jacks</i> | Kontrol Kabloları.....77 <i>Control Cables</i> |
| Konsol Grubu.....51-58 <i>Supports/Consoles</i> | Çamurluk Grubu.....79-84 <i>Mudguard Group</i> |
| Mekanizmalar.....59-62 <i>Mechanisms</i> | Hidrolik Ekipmanlar.....85-96 <i>Hydraulic Equipments</i> |
| Tampon Barı.....63 <i>Bumper Bar</i> | Şaftlar.....97 <i>Cardan Shafts</i> |
| Bisiklet Koruma.....65 <i>Bicycle Bar</i> | Hidrolik Ekipman Hortum Setleri.....99 <i>Hydraulic Equipment Hose Sets</i> |
| | Aksesuarlar.....101 <i>Accessories</i> |



| | TR | EN |
|----|--|---|
| # | AÇIKLAMA | EXPLANATION |
| 1 | Kazan | Drum |
| 2 | Basınçlı Su Tankı | Pressurized Water Tank |
| 3 | Redüktör | Gearbox |
| 4 | Hidrolik Motor | Hydraulic Motor |
| 5 | Hidrolik Pompa Konsolu | Hydraulic Pump Support |
| 6 | Şasi | Chassis |
| 7 | Çamurluk | Mudguard |
| 8 | Hidrolik Pompa | Hydraulic Pump |
| 9 | Basınçlı Su Tankı İçin Pnömatik Sistem | Pneumatic System For Pressured Water Tank |
| 10 | Yağ Soğutucu | Oil Cooler |
| 11 | Ön Konsol | Front Support |
| 12 | Bisiklet Koruma | Bicycle Bar |
| 13 | İlave Oluk | Extension Chute |
| 14 | Katkı Tankı | Additive Tank |
| 15 | Arka Konsol | Rear Support |

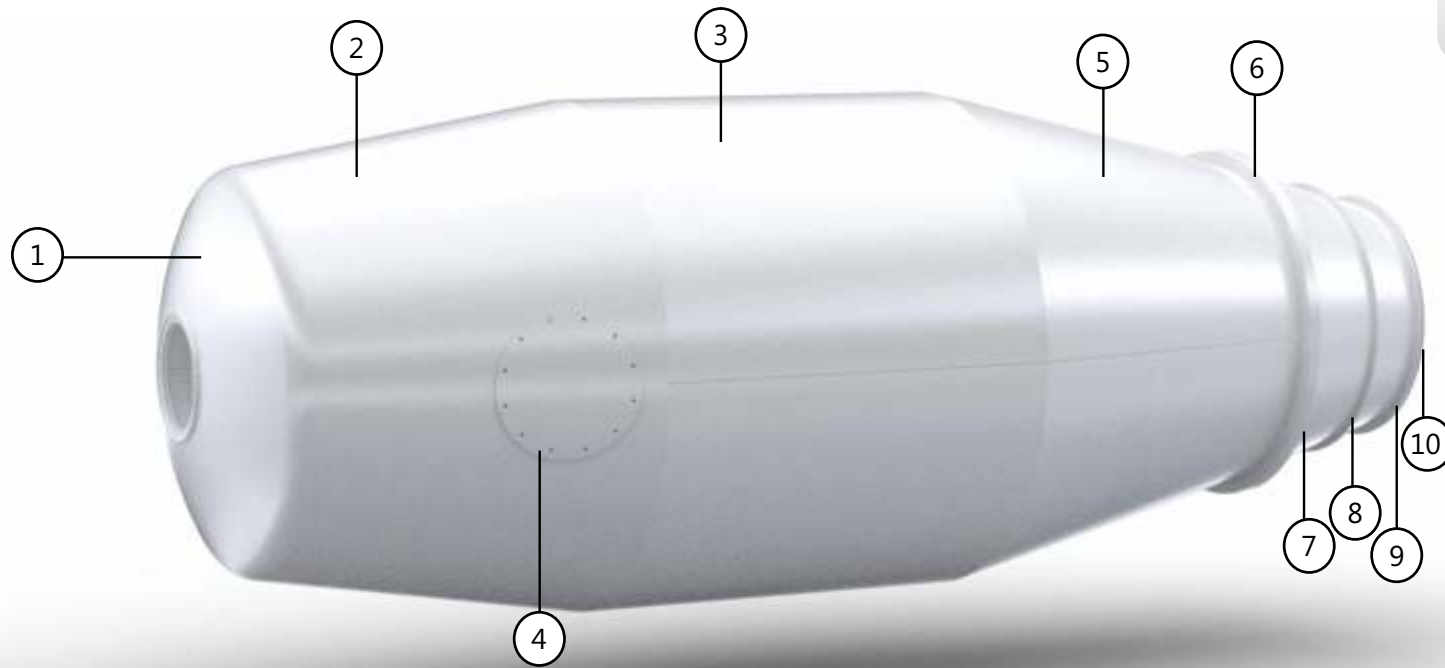
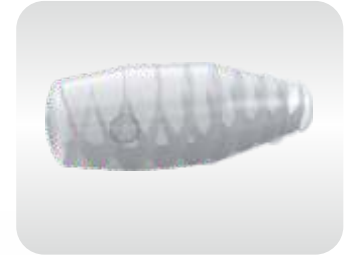
| | TR | EN |
|----|-------------------------|----------------------|
| # | AÇIKLAMA | EXPLANATION |
| 16 | Gaz Kumanda Sistemi | Single Lever Control |
| 17 | Kontrol Kutusu | Control Box |
| 18 | Su Tesisatı | Water Installation |
| 19 | Merdiven | Ladder |
| 20 | Döner Oluk Mekanizması | Discharge Mechanism |
| 21 | Boşaltma Oluğu | Discharge Chute |
| 22 | Katlanır Oluk | Folding Chute |
| 23 | Makara Mekanizması | Roller Mechanism |
| 24 | V Oluk | V Chute |
| 25 | Merdiven Üst Muhafazası | Ladder Upper Frame |
| 26 | Doldurma Oluğu | Feeding Chute |
| 27 | Ağız Halkası | Belt Ring |
| 28 | Anti Damlama Halkası | Anti-Dripping Ring |
| 29 | Şerbetlik | Metal Strip |
| 30 | Ring | Ring |



PRO DRUM
STEEL QUALITY S500-MC

| TR | 1 | 2 | 3 | 4 | 5 | 6 | 7 | 8 | 9 | 10 | |
|-----------|------------------------------------|-----------|------------|-----------|-------------|-----------|-----------|-------------------|-------------------|----------------------|--------------|
| ÜRÜN KODU | AÇIKLAMA | Bombe | Bombe Koni | Silindir | Adam Kapağı | Ring Koni | Ring | Yük Boşaltma Koni | Şerbetlik Çemberi | Anti Damlama Halkası | Ağız Halkası |
| 301100001 | B3 4 m ³ S500-MC Kazan | 200200001 | 200135003 | 200135002 | 200102016 | 200135001 | 100190001 | 200100001 | 200101031 | 200101034 | 200119027 |
| 301100006 | B3 5 m ³ S500-MC Kazan | 200200001 | 200135006 | 200135005 | 200102016 | 200135004 | 100190001 | 200100001 | 200101031 | 200101034 | 200119027 |
| 301100011 | B3 6 m ³ S500-MC Kazan | 200200001 | 200135006 | 200135007 | 200102016 | 200135004 | 100190001 | 200100001 | 200101031 | 200101034 | 200119027 |
| 300100044 | B3 7 m ³ S500-MC Kazan | 200200006 | 200135010 | 200135009 | 200102016 | 200135008 | 100190001 | 200100001 | 200101031 | 200101034 | 200119027 |
| 300100042 | B3 8 m ³ S500-MC Kazan | 200200006 | 200135010 | 200135011 | 200102016 | 200135008 | 100190001 | 200100001 | 200101031 | 200101034 | 200119027 |
| 300100040 | B3 9 m ³ S500-MC Kazan | 200200006 | 200135010 | 200135012 | 200102016 | 200135008 | 100190001 | 200100001 | 200101031 | 200101034 | 200119027 |
| 300100038 | B3 10 m ³ S500-MC Kazan | 200200006 | 200135014 | 200135013 | 200102016 | 200135008 | 100190001 | 200100001 | 200101031 | 200101034 | 200119027 |
| 300100036 | B3 12 m ³ S500-MC Kazan | 200200006 | 200135016 | 200135015 | 200102016 | 200135008 | 100190002 | 200100001 | 200101031 | 200101034 | 200119027 |
| 300100034 | B3 14 m ³ S500-MC Kazan | 200200006 | 200135018 | 200135015 | 200102016 | 200135017 | 100190002 | 200100001 | 200101031 | 200101034 | 200119027 |
| 300100048 | B3 15 m ³ S500-MC Kazan | 200200006 | 200135021 | 200135020 | 200102016 | 200135019 | 100190002 | 200100001 | 200101031 | 200101034 | 200119027 |

| EN | 1 | 2 | 3 | 4 | 5 | 6 | 7 | 8 | 9 | 10 | |
|-----------|-----------------------------------|-----------|-------------|------------------|-----------|-----------|-----------|----------------|-------------|--------------------|-----------|
| CODE | EXPLANATION | Camber | Camber Cone | Cylindrical Ring | Man Hole | Ring Cone | Ring | Discharge Cone | Metal Strip | Anti-Dripping Ring | Belt Ring |
| 301100001 | B3 4 m ³ S500-MC Drum | 200200001 | 200135003 | 200135002 | 200102016 | 200135001 | 100190001 | 200100001 | 200101031 | 200101034 | 200119027 |
| 301100006 | B3 5 m ³ S500-MC Drum | 200200001 | 200135006 | 200135005 | 200102016 | 200135004 | 100190001 | 200100001 | 200101031 | 200101034 | 200119027 |
| 301100011 | B3 6 m ³ S500-MC Drum | 200200001 | 200135006 | 200135007 | 200102016 | 200135004 | 100190001 | 200100001 | 200101031 | 200101034 | 200119027 |
| 300100044 | B3 7 m ³ S500-MC Drum | 200200006 | 200135010 | 200135009 | 200102016 | 200135008 | 100190001 | 200100001 | 200101031 | 200101034 | 200119027 |
| 300100042 | B3 8 m ³ S500-MC Drum | 200200006 | 200135010 | 200135011 | 200102016 | 200135008 | 100190001 | 200100001 | 200101031 | 200101034 | 200119027 |
| 300100040 | B3 9 m ³ S500-MC Drum | 200200006 | 200135010 | 200135012 | 200102016 | 200135008 | 100190001 | 200100001 | 200101031 | 200101034 | 200119027 |
| 300100038 | B3 10 m ³ S500-MC Drum | 200200006 | 200135014 | 200135013 | 200102016 | 200135008 | 100190001 | 200100001 | 200101031 | 200101034 | 200119027 |
| 300100036 | B3 12 m ³ S500-MC Drum | 200200006 | 200135016 | 200135015 | 200102016 | 200135008 | 100190002 | 200100001 | 200101031 | 200101034 | 200119027 |
| 300100034 | B3 14 m ³ S500-MC Drum | 200200006 | 200135018 | 200135015 | 200102016 | 200135017 | 100190002 | 200100001 | 200101031 | 200101034 | 200119027 |
| 300100048 | B3 15 m ³ S500-MC Drum | 200200006 | 200135021 | 200135020 | 200102016 | 200135019 | 100190002 | 200100001 | 200101031 | 200101034 | 200119027 |

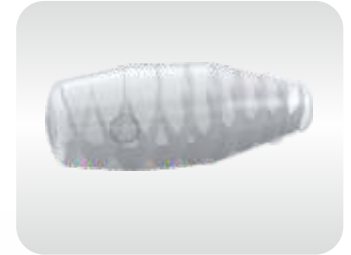
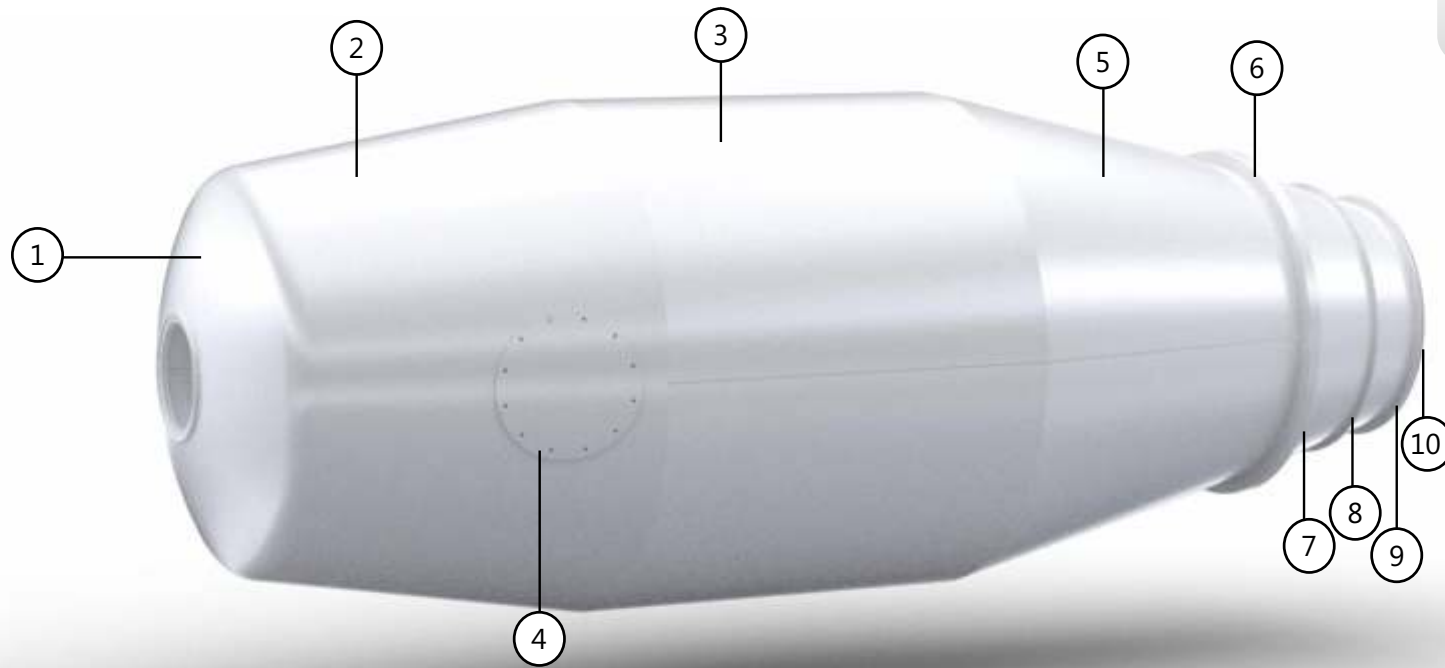


ECO DRUM

STEEL QUALITY S355J2+N

| TR | | 1 | 2 | 3 | 4 | 5 | 6 | 7 | 8 | 9 | 10 |
|-----------|-------------------------------------|-----------|------------|-----------|-------------|-----------|-----------|-------------------|-------------------|----------------------|--------------|
| ÜRÜN KODU | AÇIKLAMA | Bombe | Bombe Koni | Silindir | Adam Kapağı | Ring Koni | Ring | Yük Boşaltma Koni | Şerbetlik Çemberi | Anti Damlama Halkası | Ağız Halkası |
| 301100001 | B3 4 m ³ S355J2+N Kazan | 200200001 | 200135024 | 200135023 | 200102016 | 200135022 | 100190001 | 200100001 | 200101031 | 200101034 | 200119027 |
| 301100006 | B3 5 m ³ S355J2+N Kazan | 200200001 | 200135026 | 200135025 | 200102016 | 200100002 | 100190001 | 200100001 | 200101031 | 200101034 | 200119027 |
| 301100011 | B3 6 m ³ S355J2+N Kazan | 200200001 | 200135026 | 200135027 | 200102016 | 200100002 | 100190001 | 200100001 | 200101031 | 200101034 | 200119027 |
| 300100044 | B3 7 m ³ S355J2+N Kazan | 200200006 | 200135030 | 200135029 | 200102016 | 200135028 | 100190001 | 200100001 | 200101031 | 200101034 | 200119027 |
| 300100042 | B3 8 m ³ S355J2+N Kazan | 200200006 | 200135030 | 200135031 | 200102016 | 200135028 | 100190001 | 200100001 | 200101031 | 200101034 | 200119027 |
| 300100040 | B3 9 m ³ S355J2+N Kazan | 200200006 | 200135030 | 200135032 | 200102016 | 200135028 | 100190001 | 200100001 | 200101031 | 200101034 | 200119027 |
| 300100038 | B3 10 m ³ S355J2+N Kazan | 200200006 | 200135034 | 200135033 | 200102016 | 200135028 | 100190001 | 200100001 | 200101031 | 200101034 | 200119027 |
| 300100036 | B3 12 m ³ S355J2+N Kazan | 200200006 | 200135036 | 200135035 | 200102016 | 200135028 | 100190002 | 200100001 | 200101031 | 200101034 | 200119027 |
| 300100034 | B3 14 m ³ S355J2+N Kazan | 200200006 | 200135038 | 200135035 | 200102016 | 200135037 | 100190002 | 200100001 | 200101031 | 200101034 | 200119027 |
| 300100048 | B3 15 m ³ S355J2+N Kazan | 200200006 | 200135041 | 200135040 | 200102016 | 200135039 | 100190002 | 200100001 | 200101031 | 200101034 | 200119027 |

| EN | | 1 | 2 | 3 | 4 | 5 | 6 | 7 | 8 | 9 | 10 |
|-----------|------------------------------------|-----------|-------------|------------------|-----------|-----------|-----------|----------------|-------------|--------------------|-----------|
| CODE | EXPLANATION | Camber | Camber Cone | Cylindrical Ring | Man Hole | Ring Cone | Ring | Discharge Cone | Metal Strip | Anti-Dripping Ring | Belt Ring |
| 301100001 | B3 4 m ³ S355J2+N Drum | 200200001 | 200135024 | 200135023 | 200102016 | 200135022 | 100190001 | 200100001 | 200101031 | 200101034 | 200119027 |
| 301100006 | B3 5 m ³ S355J2+NDrum | 200200001 | 200135026 | 200135025 | 200102016 | 200100002 | 100190001 | 200100001 | 200101031 | 200101034 | 200119027 |
| 301100011 | B3 6 m ³ S355J2+N Drum | 200200001 | 200135026 | 200135027 | 200102016 | 200100002 | 100190001 | 200100001 | 200101031 | 200101034 | 200119027 |
| 300100044 | B3 7 m ³ S355J2+N Drum | 200200006 | 200135030 | 200135029 | 200102016 | 200135028 | 100190001 | 200100001 | 200101031 | 200101034 | 200119027 |
| 300100042 | B3 8 m ³ S355J2+N Drum | 200200006 | 200135030 | 200135031 | 200102016 | 200135028 | 100190001 | 200100001 | 200101031 | 200101034 | 200119027 |
| 300100040 | B3 9 m ³ S355J2+N Drum | 200200006 | 200135030 | 200135032 | 200102016 | 200135028 | 100190001 | 200100001 | 200101031 | 200101034 | 200119027 |
| 300100038 | B3 10 m ³ S355J2+N Drum | 200200006 | 200135034 | 200135033 | 200102016 | 200135028 | 100190001 | 200100001 | 200101031 | 200101034 | 200119027 |
| 300100036 | B3 12 m ³ S355J2+N Drum | 200200006 | 200135036 | 200135035 | 200102016 | 200135028 | 100190002 | 200100001 | 200101031 | 200101034 | 200119027 |
| 300100034 | B3 14 m ³ S355J2+N Drum | 200200006 | 200135038 | 200135035 | 200102016 | 200135037 | 100190002 | 200100001 | 200101031 | 200101034 | 200119027 |
| 300100048 | B3 15 m ³ S355J2+N Drum | 200200006 | 200135041 | 200135040 | 200102016 | 200135039 | 100190002 | 200100001 | 200101031 | 200101034 | 200119027 |

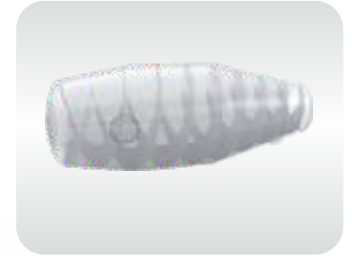
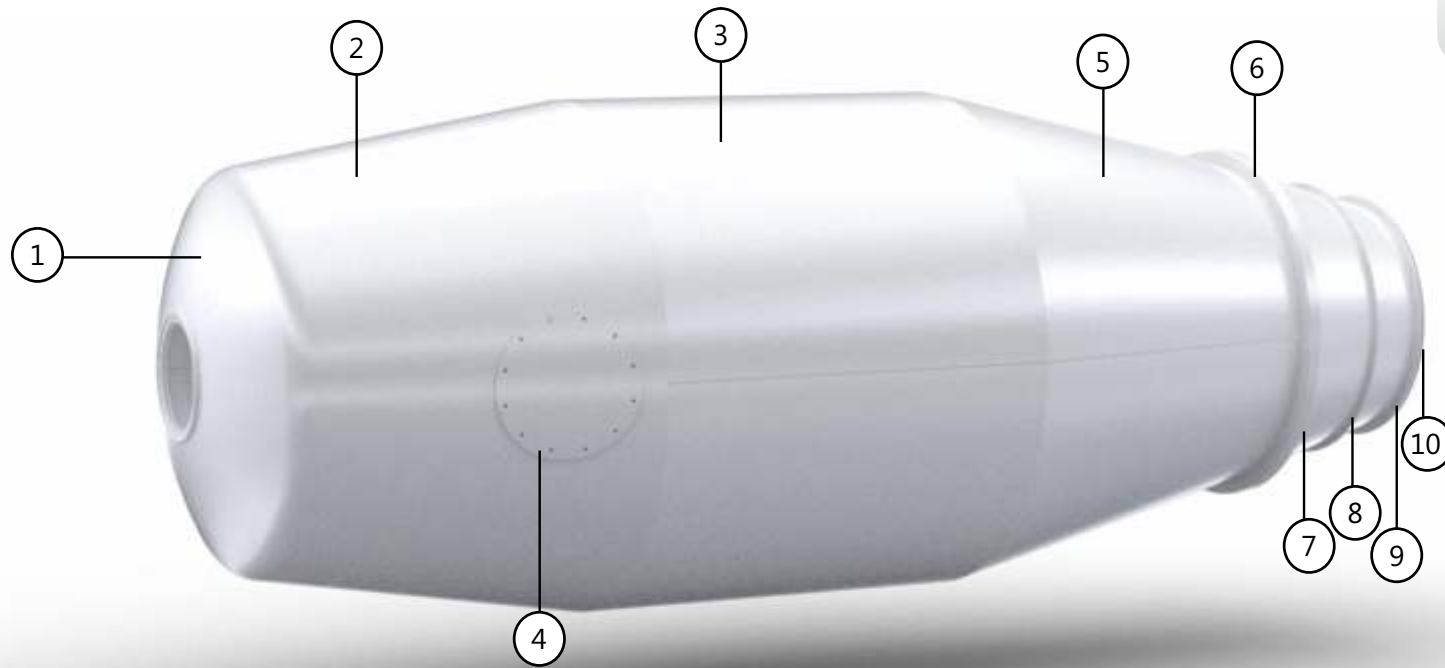


LIGHT DRUM

STEEL QUALITY HB-450

| TR | 1 | 2 | 3 | 4 | 5 | 6 | 7 | 8 | 9 | 10 | |
|-----------|--------------------------------------|-----------|------------|-----------|-------------|-----------|-----------|-------------------|-------------------|----------------------|--------------|
| ÜRÜN KODU | AÇIKLAMA | Bombe | Bombe Koni | Silindir | Adam Kapağı | Ring Koni | Ring | Yük Boşaltma Koni | Şerbetlik Çemberi | Anti Damlama Halkası | Ağız Halkası |
| 301100001 | B3 4 m ³ 3mm HB450 Kazan | 200200001 | 200135045 | 200135044 | 200102016 | 200135043 | 100190001 | 200135042 | 200101031 | 200101034 | 200119027 |
| 301100006 | B3 5 m ³ 3mm HB450 Kazan | 200200001 | 200135048 | 200135047 | 200102016 | 200135046 | 100190001 | 200135042 | 200101031 | 200101034 | 200119027 |
| 301100011 | B3 6 m ³ 3mm HB450 Kazan | 200200001 | 200135048 | 200135049 | 200102016 | 200135046 | 100190001 | 200135042 | 200101031 | 200101034 | 200119027 |
| 300100044 | B3 7 m ³ 3mm HB450 Kazan | 200200006 | 200135052 | 200135051 | 200102016 | 200135050 | 100190001 | 200135042 | 200101031 | 200101034 | 200119027 |
| 300100042 | B3 8 m ³ 3mm HB450 Kazan | 200200006 | 200135052 | 200135053 | 200102016 | 200135050 | 100190001 | 200135042 | 200101031 | 200101034 | 200119027 |
| 300100040 | B3 9 m ³ 3mm HB450 Kazan | 200200006 | 200135052 | 200135054 | 200102016 | 200135050 | 100190001 | 200135042 | 200101031 | 200101034 | 200119027 |
| 300100038 | B3 10 m ³ 3mm HB450 Kazan | 200200006 | 200135056 | 200135055 | 200102016 | 200135050 | 100190001 | 200135042 | 200101031 | 200101034 | 200119027 |
| 300100036 | B3 12 m ³ 3mm HB450 Kazan | 200200006 | 200135058 | 200135057 | 200102016 | 200135050 | 100190002 | 200135042 | 200101031 | 200101034 | 200119027 |
| 300100034 | B3 14 m ³ 3mm HB450 Kazan | 200200006 | 200135060 | 200135057 | 200102016 | 200135059 | 100190002 | 200135042 | 200101031 | 200101034 | 200119027 |
| 300100048 | B3 15 m ³ 3mm HB450 Kazan | 200200006 | 200135063 | 200135062 | 200102016 | 200135061 | 100190002 | 200135042 | 200101031 | 200101034 | 200119027 |

| EN | 1 | 2 | 3 | 4 | 5 | 6 | 7 | 8 | 9 | 10 | |
|-----------|-------------------------------------|-----------|-------------|------------------|-----------|-----------|-----------|----------------|-------------|--------------------|-----------|
| CODE | EXPLANATION | Camber | Camber Cone | Cylindrical Ring | Man Hole | Ring Cone | Ring | Discharge Cone | Metal Strip | Anti-Dripping Ring | Belt Ring |
| 301100001 | B3 4 m ³ 3mm HB450 Drum | 200200001 | 200135045 | 200135044 | 200102016 | 200135043 | 100190001 | 200135042 | 200101031 | 200101034 | 200119027 |
| 301100006 | B3 5 m ³ 3mm HB450 Drum | 200200001 | 200135048 | 200135047 | 200102016 | 200135046 | 100190001 | 200135042 | 200101031 | 200101034 | 200119027 |
| 301100011 | B3 6 m ³ 3mm HB450 Drum | 200200001 | 200135048 | 200135049 | 200102016 | 200135046 | 100190001 | 200135042 | 200101031 | 200101034 | 200119027 |
| 300100044 | B3 7 m ³ 3mm HB450 Drum | 200200006 | 200135052 | 200135051 | 200102016 | 200135050 | 100190001 | 200135042 | 200101031 | 200101034 | 200119027 |
| 300100042 | B3 8 m ³ 3mm HB450 Drum | 200200006 | 200135052 | 200135053 | 200102016 | 200135050 | 100190001 | 200135042 | 200101031 | 200101034 | 200119027 |
| 300100040 | B3 9 m ³ 3mm HB450 Drum | 200200006 | 200135052 | 200135054 | 200102016 | 200135050 | 100190001 | 200135042 | 200101031 | 200101034 | 200119027 |
| 300100038 | B3 10 m ³ 3mm HB450 Drum | 200200006 | 200135056 | 200135055 | 200102016 | 200135050 | 100190001 | 200135042 | 200101031 | 200101034 | 200119027 |
| 300100036 | B3 12 m ³ 3mm HB450 Drum | 200200006 | 200135058 | 200135057 | 200102016 | 200135050 | 100190002 | 200135042 | 200101031 | 200101034 | 200119027 |
| 300100034 | B3 14 m ³ 3mm HB450 Drum | 200200006 | 200135060 | 200135057 | 200102016 | 200135059 | 100190002 | 200135042 | 200101031 | 200101034 | 200119027 |
| 300100048 | B3 15 m ³ 3mm HB450 Drum | 200200006 | 200135063 | 200135062 | 200102016 | 200135061 | 100190002 | 200135042 | 200101031 | 200101034 | 200119027 |

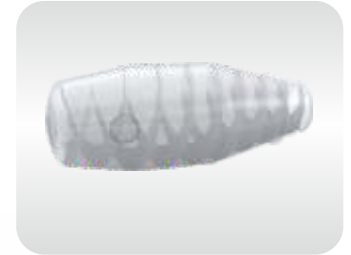
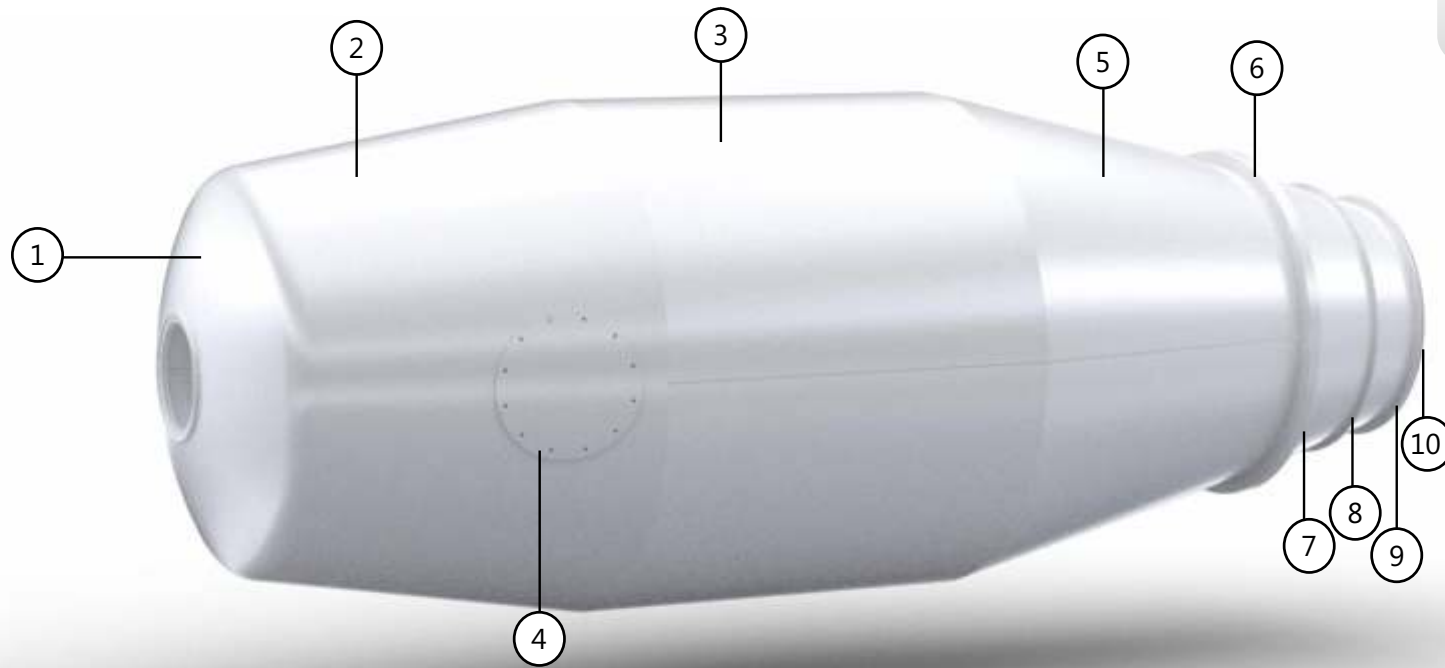


HARD DRUM

STEEL QUALITY HB-450

| TR | 1 | 2 | 3 | 4 | 5 | 6 | 7 | 8 | 9 | 10 | |
|-----------|--------------------------------------|-----------|------------|-----------|-------------|-----------|-----------|-------------------|-------------------|----------------------|--------------|
| ÜRÜN KODU | AÇIKLAMA | Bombe | Bombe Koni | Silindir | Adam Kapağı | Ring Koni | Ring | Yük Boşaltma Koni | Şerbetlik Çemberi | Anti Damlama Halkası | Ağız Halkası |
| 301100001 | B3 4 m ³ 4mm HB450 Kazan | 200200001 | 200135067 | 200135066 | 200102016 | 200135065 | 100190001 | 200135064 | 200101031 | 200101034 | 200119027 |
| 301100006 | B3 5 m ³ 4mm HB450Kazan | 200200001 | 200135070 | 200135069 | 200102016 | 200135068 | 100190001 | 200135064 | 200101031 | 200101034 | 200119027 |
| 301100011 | B3 6 m ³ 4mm HB450 Kazan | 200200001 | 200135070 | 200135071 | 200102016 | 200135068 | 100190001 | 200135064 | 200101031 | 200101034 | 200119027 |
| 300100044 | B3 7 m ³ 4mm HB450 Kazan | 200200006 | 200135074 | 200135073 | 200102016 | 200135072 | 100190001 | 200135064 | 200101031 | 200101034 | 200119027 |
| 300100042 | B3 8 m ³ 4mm HB450 Kazan | 200200006 | 200135074 | 200135075 | 200102016 | 200135072 | 100190001 | 200135064 | 200101031 | 200101034 | 200119027 |
| 300100040 | B3 9 m ³ 4mm HB450 Kazan | 200200006 | 200135074 | 200135076 | 200102016 | 200135072 | 100190001 | 200135064 | 200101031 | 200101034 | 200119027 |
| 300100038 | B3 10 m ³ 4mm HB450 Kazan | 200200006 | 200135078 | 200135077 | 200102016 | 200135072 | 100190001 | 200135064 | 200101031 | 200101034 | 200119027 |
| 300100036 | B3 12 m ³ 4mm HB450 Kazan | 200200006 | 200135080 | 200135079 | 200102016 | 200135072 | 100190002 | 200135064 | 200101031 | 200101034 | 200119027 |
| 300100034 | B3 14 m ³ 4mm HB450 Kazan | 200200006 | 200135082 | 200135079 | 200102016 | 200135081 | 100190002 | 200135064 | 200101031 | 200101034 | 200119027 |
| 300100048 | B3 15 m ³ 4mm HB450 Kazan | 200200006 | 200135085 | 200135084 | 200102016 | 200135083 | 100190002 | 200135064 | 200101031 | 200101034 | 200119027 |

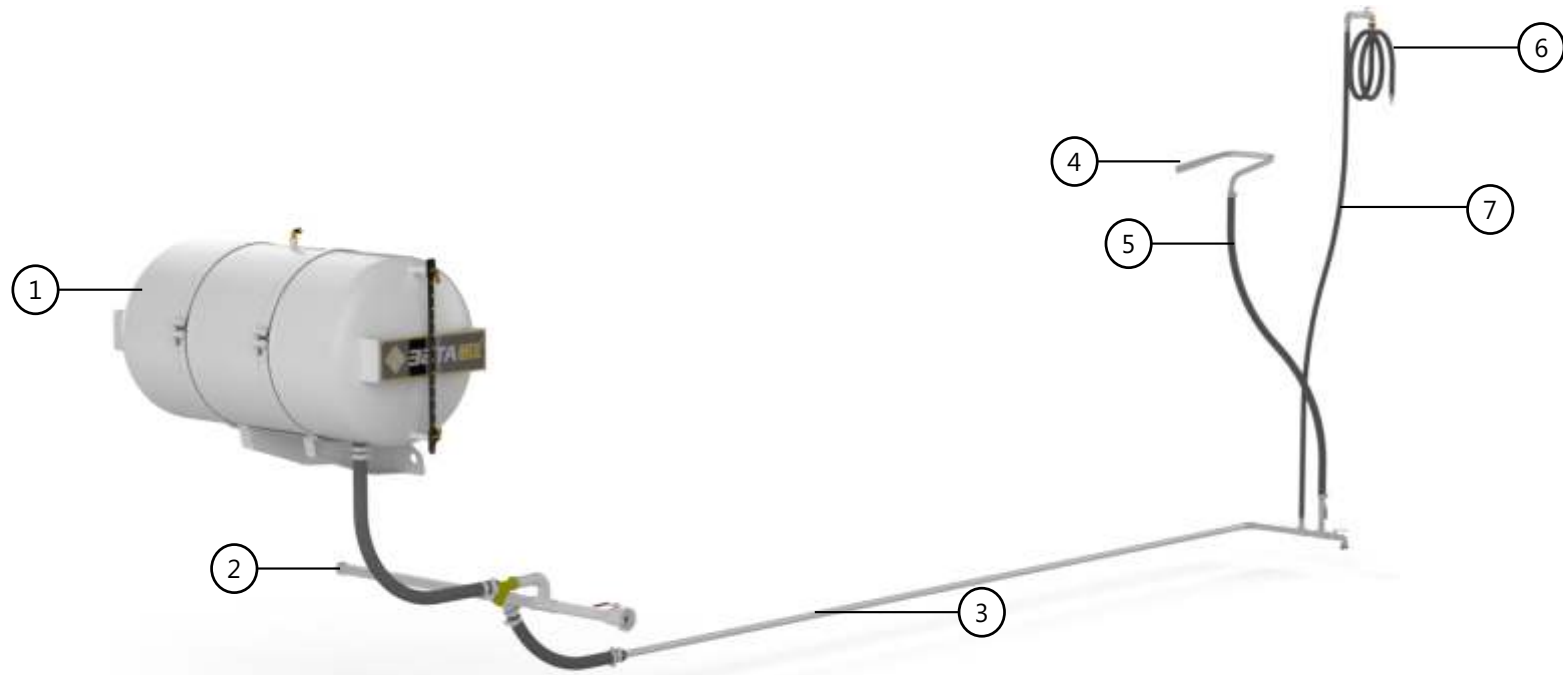
| EN | 1 | 2 | 3 | 4 | 5 | 6 | 7 | 8 | 9 | 10 | |
|-----------|-------------------------------------|-----------|-------------|------------------|-----------|-----------|-----------|----------------|-------------|--------------------|-----------|
| CODE | EXPLANATION | Camber | Camber Cone | Cylindrical Ring | Man Hole | Ring Cone | Ring | Discharge Cone | Metal Strip | Anti-Dripping Ring | Belt Ring |
| 301100001 | B3 4 m ³ 4mm HB450 Drum | 200200001 | 200135067 | 200135066 | 200102016 | 200135065 | 100190001 | 200135064 | 200101031 | 200101034 | 200119027 |
| 301100006 | B3 5 m ³ 4mm HB450Drum | 200200001 | 200135070 | 200135069 | 200102016 | 200135068 | 100190001 | 200135064 | 200101031 | 200101034 | 200119027 |
| 301100011 | B3 6 m ³ 4mm HB450 Drum | 200200001 | 200135070 | 200135071 | 200102016 | 200135068 | 100190001 | 200135064 | 200101031 | 200101034 | 200119027 |
| 300100044 | B3 7 m ³ 4mm HB450 Drum | 200200006 | 200135074 | 200135073 | 200102016 | 200135072 | 100190001 | 200135064 | 200101031 | 200101034 | 200119027 |
| 300100042 | B3 8 m ³ 4mm HB450 Drum | 200200006 | 200135074 | 200135075 | 200102016 | 200135072 | 100190001 | 200135064 | 200101031 | 200101034 | 200119027 |
| 300100040 | B3 9 m ³ 4mm HB450 Drum | 200200006 | 200135074 | 200135076 | 200102016 | 200135072 | 100190001 | 200135064 | 200101031 | 200101034 | 200119027 |
| 300100038 | B3 10 m ³ 4mm HB450 Drum | 200200006 | 200135078 | 200135077 | 200102016 | 200135072 | 100190001 | 200135064 | 200101031 | 200101034 | 200119027 |
| 300100036 | B3 12 m ³ 4mm HB450 Drum | 200200006 | 200135080 | 200135079 | 200102016 | 200135072 | 100190002 | 200135064 | 200101031 | 200101034 | 200119027 |
| 300100034 | B3 14 m ³ 4mm HB450 Drum | 200200006 | 200135082 | 200135079 | 200102016 | 200135081 | 100190002 | 200135064 | 200101031 | 200101034 | 200119027 |
| 300100048 | B3 15 m ³ 4mm HB450 Drum | 200200006 | 200135085 | 200135084 | 200102016 | 200135083 | 100190002 | 200135064 | 200101031 | 200101034 | 200119027 |



STEEL QUALITY
S500-MC & S355J2+N

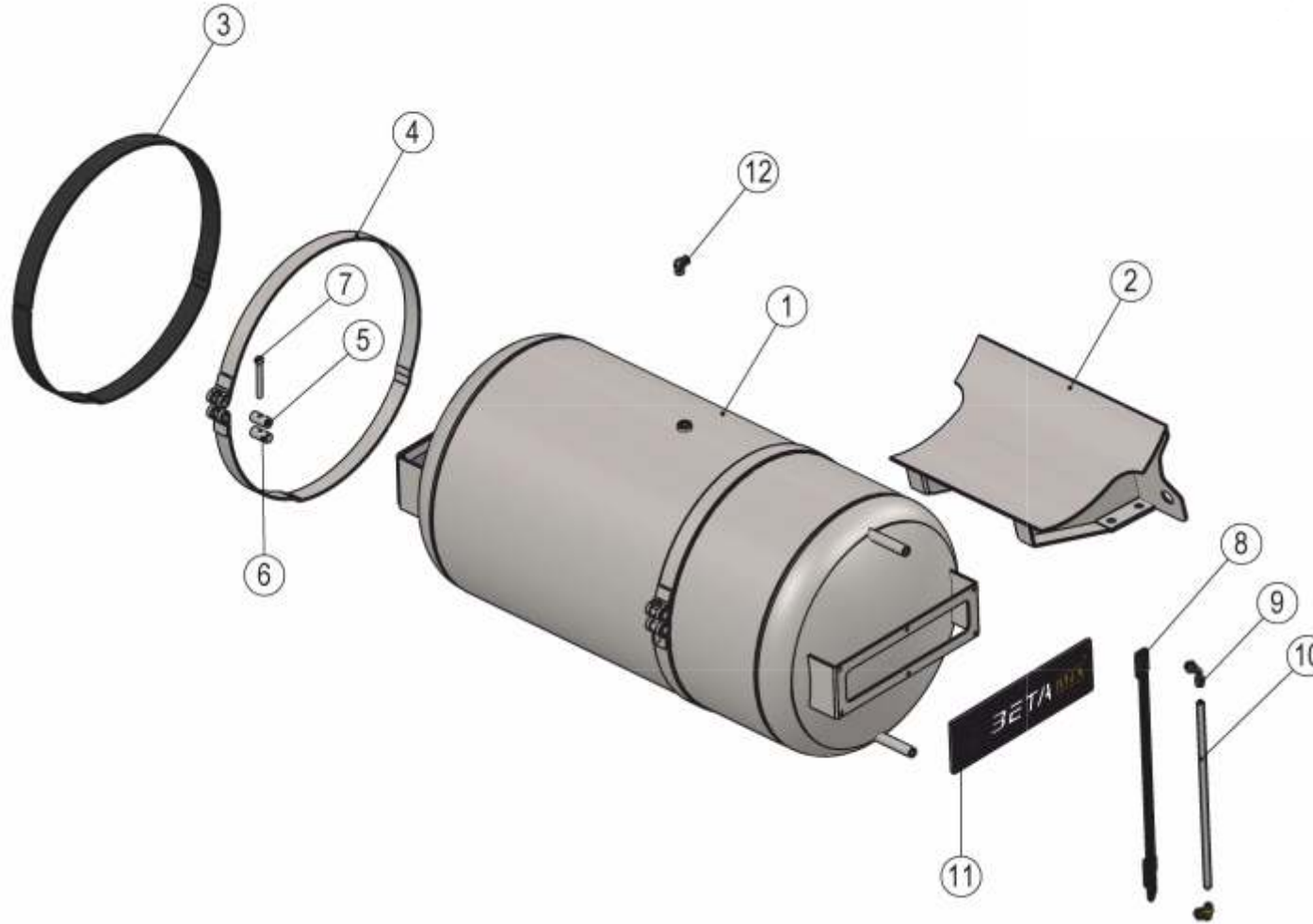
| ÜRÜN KODU | AÇIKLAMA | 1 | 2 | 3 | 4 | 5 | 6 | 7 | 8 | 9 | 10 |
|-----------|--|-----------|------------|-----------|-------------|-----------|-----------|-------------------|-------------------|----------------------|--------------|
| | | Bombe | Bombe Koni | Silindir | Adam Kapağı | Ring Koni | Ring | Yük Boşaltma Koni | Şerbetlik Çemberi | Anti Damlama Halkası | Ağız Halkası |
| 301100001 | B3 4 m ³ S500-MC+S355J2+NKazan | 200200001 | 200135003 | 200135002 | 200102016 | 200135022 | 100190001 | 200100001 | 200101031 | 200101034 | 200119027 |
| 301100006 | B3 5 m ³ S500-MC+S355J2+NKazan | 200200001 | 200135006 | 200135005 | 200102016 | 200100002 | 100190001 | 200100001 | 200101031 | 200101034 | 200119027 |
| 301100011 | B3 6 m ³ S500-MC+S355J2+NKazan | 200200001 | 200135006 | 200135007 | 200102016 | 200100002 | 100190001 | 200100001 | 200101031 | 200101034 | 200119027 |
| 300100044 | B3 7 m ³ S500-MC+S355J2+NKazan | 200200006 | 200135010 | 200135009 | 200102016 | 200135028 | 100190001 | 200100001 | 200101031 | 200101034 | 200119027 |
| 300100042 | B3 8 m ³ S500-MC+S355J2+NKazan | 200200006 | 200135010 | 200135011 | 200102016 | 200135028 | 100190001 | 200100001 | 200101031 | 200101034 | 200119027 |
| 300100040 | B3 9 m ³ S500-MC+S355J2+NKazan | 200200006 | 200135010 | 200135012 | 200102016 | 200135028 | 100190001 | 200100001 | 200101031 | 200101034 | 200119027 |
| 300100038 | B3 10 m ³ S500-MC+S355J2+NKazan | 200200006 | 200135014 | 200135013 | 200102016 | 200135028 | 100190001 | 200100001 | 200101031 | 200101034 | 200119027 |
| 300100036 | B3 12 m ³ S500-MC+S355J2+NKazan | 200200006 | 200135016 | 200135015 | 200102016 | 200135028 | 100190002 | 200100001 | 200101031 | 200101034 | 200119027 |
| 300100034 | B3 14 m ³ S500-MC+S355J2+NKazan | 200200006 | 200135018 | 200135015 | 200102016 | 200135037 | 100190002 | 200100001 | 200101031 | 200101034 | 200119027 |
| 300100048 | B3 15 m ³ S500-MC+S355J2+NKazan | 200200006 | 200135021 | 200135020 | 200102016 | 200135039 | 100190002 | 200100001 | 200101031 | 200101034 | 200119027 |

| CODE | EXPLANATION | 1 | 2 | 3 | 4 | 5 | 6 | 7 | 8 | 9 | 10 |
|-----------|--|-----------|-------------|------------------|-----------|-----------|-----------|----------------|-------------|--------------------|-----------|
| | | Camber | Camber Cone | Cylindrical Ring | Man Hole | Ring Cone | Ring | Discharge Cone | Metal Strip | Anti-Dripping Ring | Belt Ring |
| 301100001 | B3 4 m ³ S500-MC+S355J2+N Drum | 200200001 | 200135003 | 200135002 | 200102016 | 200135022 | 100190001 | 200100001 | 200101031 | 200101034 | 200119027 |
| 301100006 | B3 5 m ³ S500-MC+S355J2+N Drum | 200200001 | 200135006 | 200135005 | 200102016 | 200100002 | 100190001 | 200100001 | 200101031 | 200101034 | 200119027 |
| 301100011 | B3 6 m ³ S500-MC+S355J2+N Drum | 200200001 | 200135006 | 200135007 | 200102016 | 200100002 | 100190001 | 200100001 | 200101031 | 200101034 | 200119027 |
| 300100044 | B3 7 m ³ S500-MC+S355J2+N Drum | 200200006 | 200135010 | 200135009 | 200102016 | 200135028 | 100190001 | 200100001 | 200101031 | 200101034 | 200119027 |
| 300100042 | B3 8 m ³ S500-MC+S355J2+N Drum | 200200006 | 200135010 | 200135011 | 200102016 | 200135028 | 100190001 | 200100001 | 200101031 | 200101034 | 200119027 |
| 300100040 | B3 9 m ³ S500-MC+S355J2+N Drum | 200200006 | 200135010 | 200135012 | 200102016 | 200135028 | 100190001 | 200100001 | 200101031 | 200101034 | 200119027 |
| 300100038 | B3 10 m ³ S500-MC+S355J2+N Drum | 200200006 | 200135014 | 200135013 | 200102016 | 200135028 | 100190001 | 200100001 | 200101031 | 200101034 | 200119027 |
| 300100036 | B3 12 m ³ S500-MC+S355J2+N Drum | 200200006 | 200135016 | 200135015 | 200102016 | 200135028 | 100190002 | 200100001 | 200101031 | 200101034 | 200119027 |
| 300100034 | B3 14 m ³ S500-MC+S355J2+N Drum | 200200006 | 200135018 | 200135015 | 200102016 | 200135037 | 100190002 | 200100001 | 200101031 | 200101034 | 200119027 |
| 300100048 | B3 15 m ³ S500-MC+S355J2+N Drum | 200200006 | 200135021 | 200135020 | 200102016 | 200135039 | 100190002 | 200100001 | 200101031 | 200101034 | 200119027 |



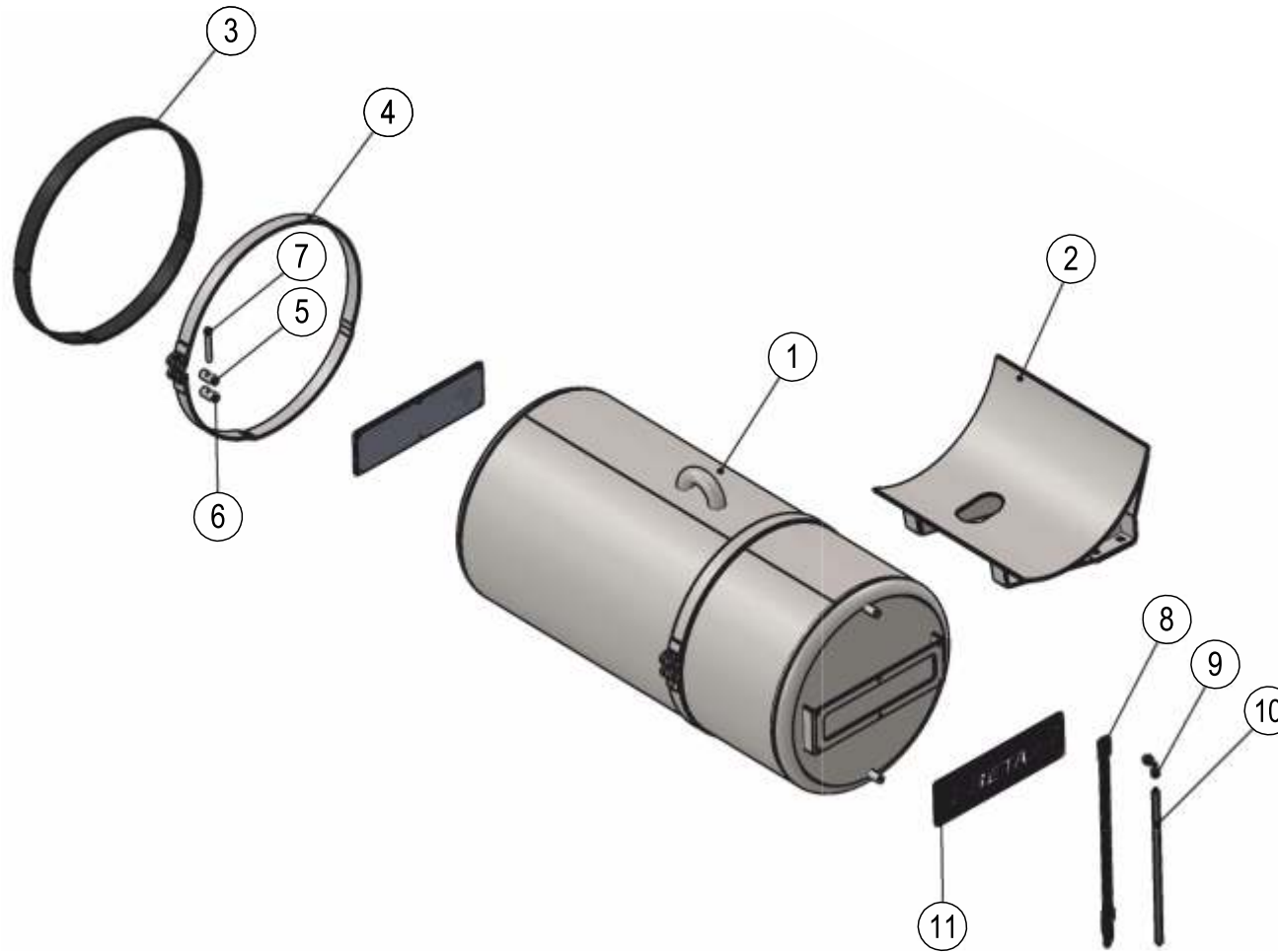
| | TR | EN |
|------|------------|--------------|
| CODE | AÇIKLAMA | EXPLANATION |
| | Su Sistemi | Water System |

| | TR | EN | |
|---|-----------|--|---|
| # | CODE | AÇIKLAMA | EXPLANATION |
| 1 | 300650007 | 650 Lt. Basınçlı Su Tankı | 650 Lt. Pressurized Water Tank |
| 2 | 300980002 | Beta Ön Konsol Tek Çıkışlı Su Tesisatı | Beta Front Support Single-Output Water Installation |
| 3 | 300980003 | Beta Su Tesisatı (Arka Tesisat) | Beta Water Installation (Rear Installation) |
| 4 | 200900001 | Fiskiye Borusu (Ø32x2) | Nozzle Pipe (Ø32x2) |
| 5 | 200983001 | Fiskiye Borusu Hortumu | Nozzle Pipe Hose |
| 6 | 200983002 | Beta Yıkama Hortumu (L=1900) | Beta Washing Hose (L=1900) |
| 7 | 200983003 | Beta Yıkama Hortumu Ara Su Borusu | Beta Washing Hose Water Pipe |
| 8 | 200981001 | Su Tankı Tesisat Borusu (L=1550) | Water Tank Installation Pipe (L=1550) |
| 9 | 200981002 | Su Tesisatı Bağlantı Borusu | Water Installation Fitting Pipe |



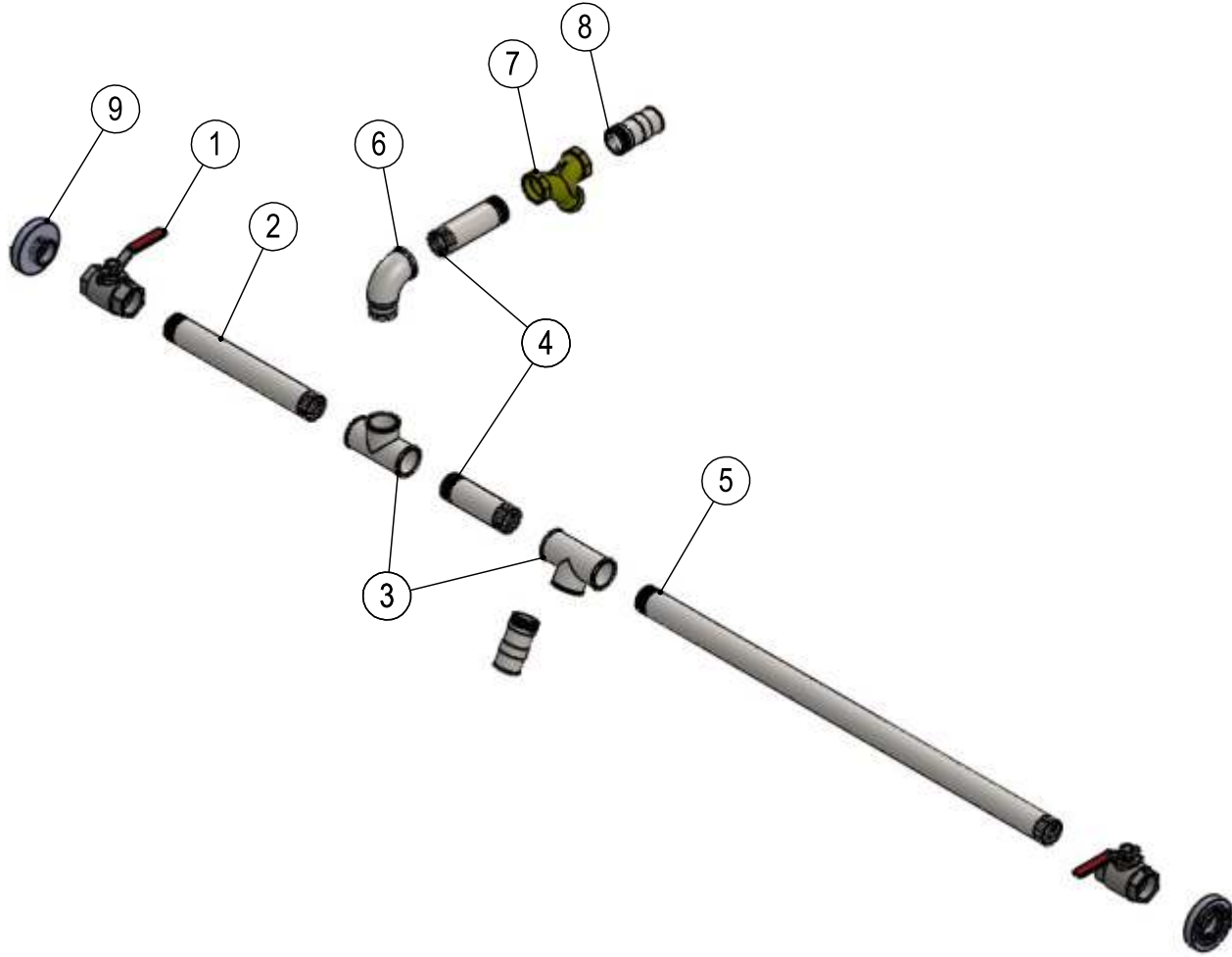
| TR | | EN |
|-----------|----------------------------|--------------------------------|
| CODE | AÇIKLAMA | EXPLANATION |
| 300650004 | Su Tankı 350Lt. Basıncılı | Pressurized Water Tank 350Lt. |
| 300650005 | Su Tankı 400Lt. Basıncılı | Pressurized Water Tank 400Lt. |
| 300650007 | Su Tankı 650Lt. Basıncılı | Pressurized Water Tank 650Lt. |
| 300650010 | Su Tankı 800Lt. Basıncılı | Pressurized Water Tank 800Lt. |
| 300650012 | Su Tankı 1000Lt. Basıncılı | Pressurized Water Tank 1000Lt. |

| TR | | EN | |
|----|-----------|---|---|
| # | CODE | AÇIKLAMA | EXPLANATION |
| 1 | 300650007 | 650 LT Basıncılı Su Tankı | 650 Lt. Pressurized Water Tank |
| 2 | 300660003 | Beta Su Tankı Konsolu | Beta Water Tank Support |
| 3 | 200651011 | Su Tankı Konsolu Conta | Water Tank Support Gasket |
| 4 | 200654007 | Su Tankı Konsolu Kelepçe Sacı | Water Support Clamp Sheet |
| 5 | 200651013 | Su Tankı Kelepçe Pini | Water Tank Clamp Pin |
| 6 | 200654012 | Su Tankı Kelepçe Pini (M12) | Water Tank Clamp Pin (M12) |
| 7 | 100150048 | Su Tankı Kelepçe Pini Cıvatası (M12) | Water Tank Clamp Pin Bolt (M12) |
| 8 | 200662001 | Basıncılı Su Tankı Seviye Gösterge Sacı | Pressurized Water Tank Level Pipe Plate |
| 9 | 100270031 | Gösterge Borusu Bağlantı Rakoru | Water Tank Level Pipe Connection Coupling |
| 10 | 200654009 | Su Tankı Seviye Gösterge Borusu | Water Tank Level Pipe |
| 11 | 100240030 | Redüksiyon Galvanizli ¾" – ½" | Galvanized Nut ¾" – ½" |
| 12 | 100270007 | Rakor 1/2x 22x1.5 EDD | Coupling1/2x 22x1.5 EDD |
| 13 | 200651014 | Su Tankı Logo | Water Tank Logo |



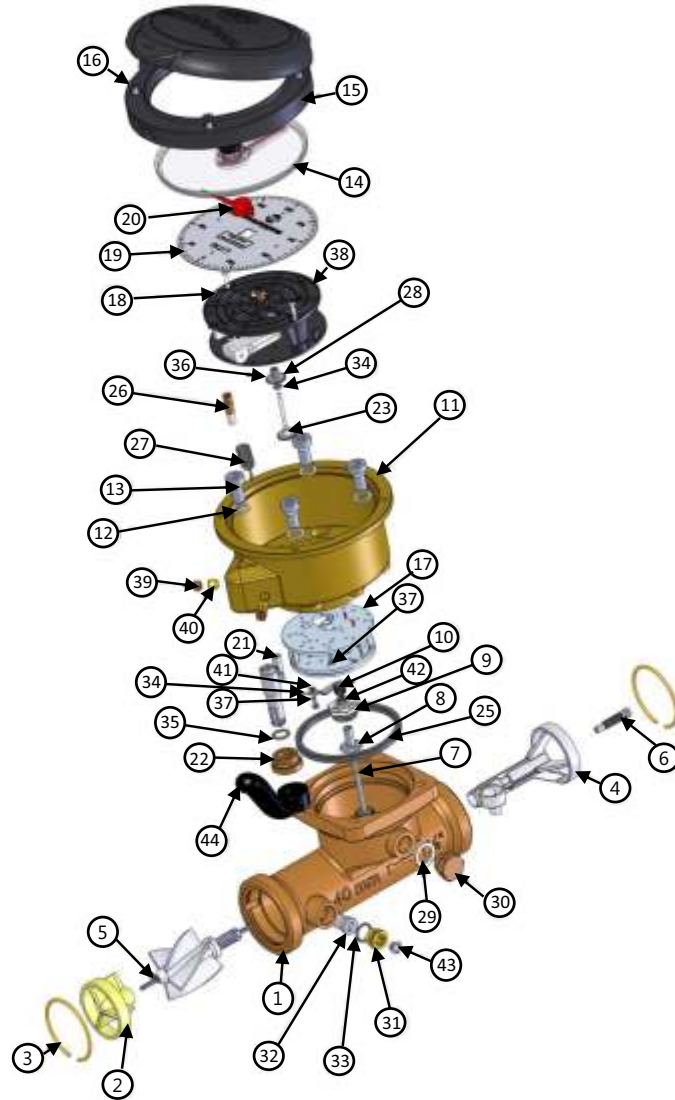
| | TR | EN |
|-----------|-----------------------------|----------------------------------|
| CODE | AÇIKLAMA | EXPLANATION |
| 300450003 | Su Tankı 350Lt. Basıncısız | Unpressurized Water Tank 350Lt. |
| 300650006 | Su Tankı 650Lt. Basıncısız | Unpressurized Water Tank 650Lt. |
| 300650009 | Su Tankı 800Lt. Basıncısız | Unpressurized Water Tank 800Lt. |
| 300650011 | Su Tankı 1000Lt. Basıncısız | Unpressurized Water Tank 1000Lt. |

| | TR | EN | |
|----|-----------|--|---|
| # | CODE | AÇIKLAMA | EXPLANATION |
| 1 | 300650006 | 650 Lt. Basıncısız Su Tankı | 650 Lt. Unpressurized Water Tank |
| 2 | 300660003 | Beta Su Tankı Konsolu | Beta Water Tank Support |
| 3 | 200651011 | Su Tankı Konsolu Conta | Water Tank Support Gasket |
| 4 | 200654007 | Su Tankı Konsolu Kelepçe Sacı | Water Tank Support Clamp Sheet |
| 5 | 200651013 | Su Tankı Kelepçe Sıkıştırma | Water Tank Clamp Pin |
| 6 | 200654012 | Su Tankı Kelepçe Sıkıştırma (M12) | Water Tank Clamp Pin (M12) |
| 7 | 100150048 | Su Tankı Kelepçe Sıkıştırma Cıvatası (M12) | Water Tank Clamp Pin Bolt (M12) |
| 8 | 200662001 | Basıncısız Seviye Gösterge Sacı | Unpressurized Water Tank Level Pipe Plate |
| 9 | 100270031 | Gösterge Borusu Bağlantı Rakoru | Water Tank Level Pipe Connection Coupling |
| 10 | 200654009 | Su Tankı Seviye Gösterge Borusu | Water Tank Level Pipe |
| 11 | 100240030 | Redüksiyon Galvanizli ¾" – ½" | Galvanized Nut ¾" – ½" |
| 12 | 100270007 | Rakor 1/2x 22x1.5 EDD | Coupling 1/2x 22x1.5 EDD |
| 13 | 200651014 | Su Tankı Logo | Water Tank Logo |



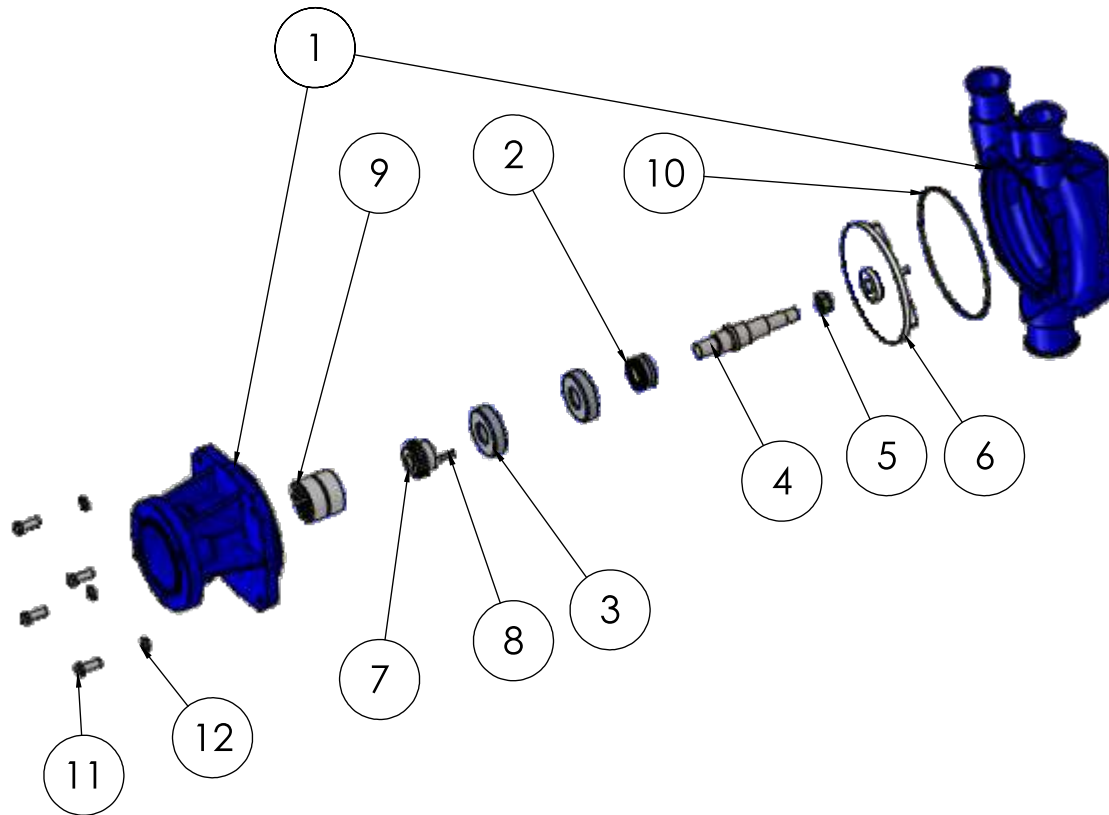
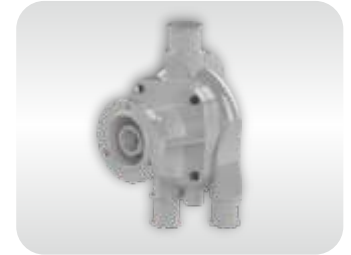
| | TR | EN |
|-----------|----------------------|--------------------------|
| CODE | AÇIKLAMA | EXPLANATION |
| 300980001 | Çift Yönlü Su Girişi | Double-Sided Water Input |

| | TR | EN | |
|---|-----------|---------------------------------|------------------------------------|
| # | CODE | AÇIKLAMA | EXPLANATION |
| 1 | 100240002 | Vana Küresel 1 ½" PN16 | Ball Valve 1 ½" PN16 |
| 2 | 200900120 | Testli Boru 1 ½" | Pipe 1 ½" |
| 3 | 100240037 | T 1 ½" (BSPT) Galvaniz | T 1 ½" (BSPT) Galvanized |
| 4 | 200900119 | Testli Boru 1 ½" | Pipe 1 ½" |
| 5 | 200900121 | Testli Boru 1 ½" | Pipe 1 ½" |
| 6 | 100240042 | Dirsek Kuyruklu 1 ½" (Galvaniz) | Elbow (Galvanized) 1 ½" |
| 7 | 100240026 | Pislik Tutucu Sarı 1 ½" | Filter 1 ½" |
| 8 | 200900011 | Hortum Ağız Testli Boru 1 ½" | Hose Fitting Pipe 1 ½" |
| 9 | 100240032 | Kurtağız Erkek Alüminyum 1 ½" | Quick Coupling Male Aluminium 1 ½" |



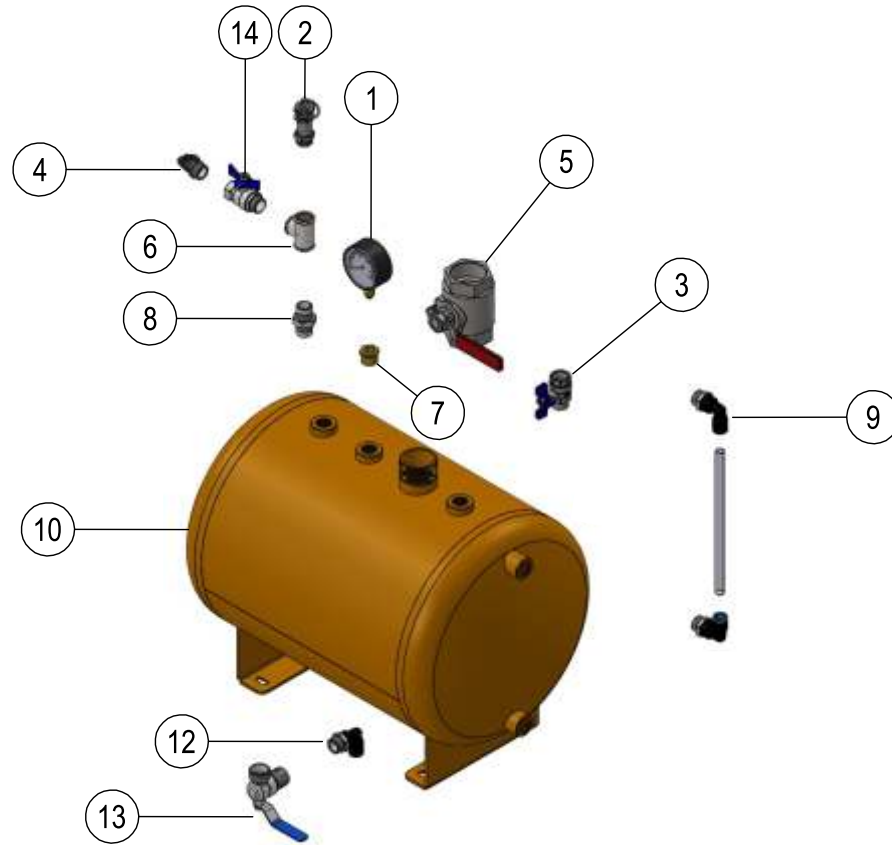
| TR | | EN | |
|-----------|--------------------|-----------------------|--|
| CODE | AÇIKLAMA | EXPLANATION | |
| 100240054 | Maddalena Su Saati | Maddalena Water Meter | |

| # | TR AÇIKLAMA | EN EXPLANATION | # | TR AÇIKLAMA | EN EXPLANATION |
|----|---|---|----|---|---|
| 1 | Su Saati Gövde 40mm | Water Meter Body 40mm | 22 | Kontrol Kolu Kapağı (OT58 FORO Ø10) | Control Lever Lid (OT58 FORO Ø10) |
| 2 | Türbin WM40-RF | Turbine WM40-RF | 23 | Bağlantı Contası (A30AP) | Joint Gasket (A30AP) |
| 3 | Sıkma Ringi WM/40mm | Wringing Ring WM/40mm | 24 | Plastik Dişli Tutacağı Yayı | Plastic Gear Holder String |
| 4 | Türbin WM/40 | Turbine WM/40 | 25 | Sıkma Contası (68x75,5x4 NBR80) | Tightening Gasket (68x75,5x4 NBR80) |
| 5 | Makara (WMA 40-VSFD-AF-R) | Roller (WMA 40-VSFD-AF-R) | 26 | Vida (5 MA x 25 TC – OT 58) | Screw (5 MA x 25 – OT 58) |
| 6 | Orta Kayıt Vidası TDML/TDSL 20/50 | Screw Record TDML/TDSL 40/50 | 27 | Kontrol Kolu Yayı | Control Lever String |
| 7 | Transmitter WM-40 ATRE D2 | Transmissione WM-40 ATRE D2 | 28 | Bağlantı Contası A29M | Joint Gasket A29M |
| 8 | Bağlantı Contası WM/40 | Joint Gasket WM/40 | 29 | O Ring | O Ring |
| 9 | Plastik Dişli Tutacağı WM/40mm | Plastic Gear Holder WM/40mm | 30 | Mühür | Sealing |
| 10 | Plastik Dişli (WM-C8 MODUL 0,75) | Plastic Gear (WM-C8 MODUL 0,75) | 31 | Kapama Vidası (M12x1 DWM 40mm) | Sealing Screw (M12x1 DWM 40mm) |
| 11 | Pirinç Alaşım Plastik Kapsül | Plastic Capsule (Brass) | 32 | Kaplin WMA/40mm-AF | Coupling WMA/40mm-AF |
| 12 | Bağlantı Contası (TDL 8,5x13x1 FASIT 202) | Joint Gasket (TDL 8,5x13x1 FASIT 202) | 33 | Bağlantı Contası (10,82x1,78 2043 EPDM70SH) | Joint Gasket (10,82x1,78 2043 EPDM70SH) |
| 13 | Gömme Vida M8-16 | Countersunk Screw M8x16 | 34 | Bağlantı Contası (2,587x1,78 2010 NBR70) | Joint Gasket (2,587x1,78 2010 NBR70) |
| 14 | Kızaklı Ring (PP) | Sliding Ring (PP) | 35 | Bağlantı Contası (9,25x1,78 2037 NBR70) | Joint Gasket (9,25x1,78 2037 NBR70) |
| 15 | Kapak DWM Maddalena | Lid DWM Maddalena | 36 | Vida (A2 M2x3 UNI EN24766 (INOX)) | Screw (A2 M2x3 UNI EN24766 - INOX) |
| 16 | Vida (M4x12 UNI 7688 DIN 965 AISI 304) | Screw (M4x12 UNI 7688 DIN 965 AISI 304) | 37 | Vida (M2,3x0, 4x6,5 TCC) | Screw (M2,3x0, 4x6,5 TCC) |
| 17 | Saat Mekanizması (TDML40.029H) | Clockwork (TDML40.029H) | 38 | Vida (TBCC M2,5 x 30 UNI EN ISO 7045) | Screw (TBCC M2,5 x 30 UNI EN ISO 7045) |
| 18 | Plastik Batarya | Plastic Battery | 39 | Vida (7 MA x 5 ST OT58) | Screw (7 MA x 5 ST OT58) |
| 19 | Plastik Savaş | Plastic Register | 40 | Orta Kayıt Vidası (M7 x 6,5 OT 58) | Screw Record (M7 x 6,5 OT 58) |
| 20 | Savaş Kolu | Register Lever | 41 | Küp Civata (Pirinç M2, 3x0, 4) | Cubic Bolt (Brass M2, 3x0, 4) |
| 21 | Kontrol Kolu (DN40/50 Ø10) | Control Lever (DN40/50 Ø10) | 42 | Küp Civata (Pirinç 2,6 MA) | Cubic Bolt (Brass 2,6 MA) |
| | | | 43 | Kaplin Somunu | Coupling Nut |



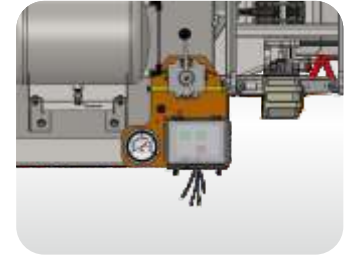
| | TR | EN |
|-----------|------------|-------------|
| CODE | AÇIKLAMA | EXPLANATION |
| 100110004 | Su Pompası | Water Pump |

| | TR | EN | |
|----|-----------|-----------------------------------|-------------------------------|
| # | CODE | AÇIKLAMA | EXPLANATION |
| 1 | 100110004 | Su Pompası Döküm Gövde | Griddle Water Pump Body |
| 2 | 100090055 | Keçe Kömür Su Pompası (Salmastra) | Felt (Gasket) |
| 3 | 100090058 | Su Pompası Rulmanı | Water Pump Bearing |
| 4 | 100090053 | Su Pompası Mili | Water Pump Shaft |
| 5 | 100150083 | DIN985 M14 Fiberli Somun | DIN985 M14 Fibered Nut |
| 6 | 100090054 | Su Pompası Fanı | Water Pump Fan |
| 7 | 100090052 | Su Pompası Freze Dişlisi | Water Pump Milling Gear |
| 8 | 100090080 | 5x5x22mm Su Pompası Mil Kaması | 5x5x22mm Water Pump Shaft Key |
| 9 | 100090057 | Kaplin Su Pompası Fiber | Coupling Water Pump Fiber |
| 10 | 100090056 | Su Pompası O-Ring | Water Pump O-Ring |
| 11 | 100150012 | DIN933 M8X25 (8.8) Galvaniz | DIN933 M8X25 8.8) Galvanized |
| 12 | 100150072 | M8 Pul Galvaniz | M8 Galvanized Washer |

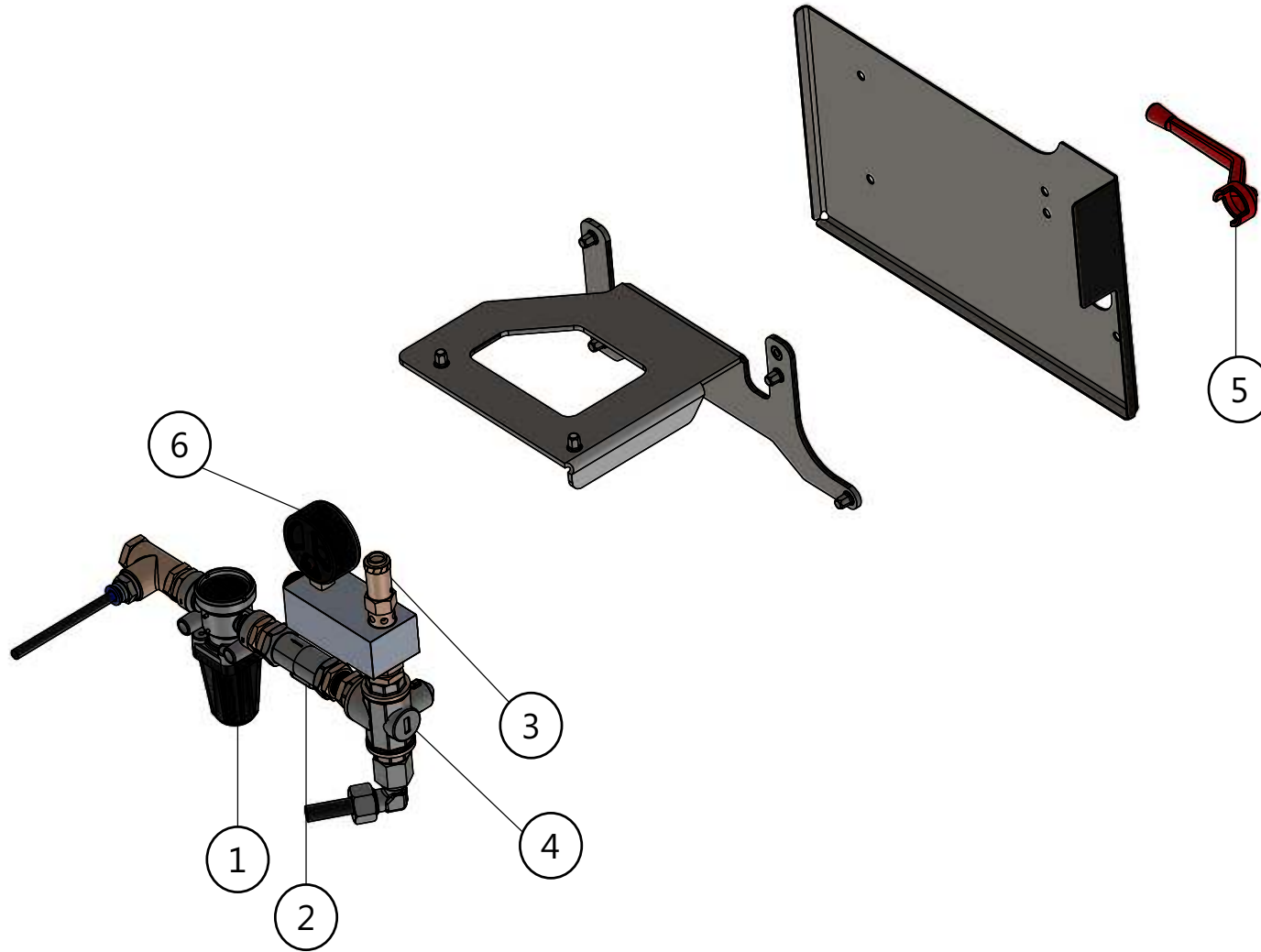


| | TR | EN |
|-----------|-------------|---------------|
| CODE | AÇIKLAMA | EXPLANATION |
| 100270030 | Katkı Tankı | Additive Tank |

| | TR | EN | |
|----|-----------|-----------------------------|----------------------------------|
| # | CODE | AÇIKLAMA | EXPLANATION |
| 1 | 100270003 | Manometre | Manometer |
| 2 | 100270024 | Emniyet Ventili Düz ½ | Safety Valve ½ |
| 3 | 100240004 | Küresel Vana Mini ½ | Ball Valve 1/2 |
| 4 | 100270023 | Pnömatik Dirsek ½ | Pneumatic Elbow 1/2 |
| 5 | 100240002 | Küresel Vana 1 ½ PN16 | Ball Valve 1 ½ PN16 |
| 6 | 100240036 | T 1/2 Galvaniz | T ½ Galvanized |
| 7 | 100240031 | Redüksiyon (Sarı) ½ - ¼ | Nut (Brass) ½ - ¼ |
| 8 | 100240022 | Nipel 1/2 Galvaniz | Nipple ½ Galvanized |
| 9 | 100270021 | Pnömatik Dirsek ½ 12 mm | Pneumatic Elbow ½ 12 mm |
| 10 | 100270030 | Katkı Tankı | Additive Tank |
| 11 | 100030033 | Şeffaf Boru Akrilik 18x8 mm | Transparent Pipe Acrylic 18x8 mm |
| 12 | 100270021 | Pnömatik Dirsek ½ 12 mm | Pneumatic Elbow ½ 12 mm |
| 13 | 100240006 | Vana Küresel ¾ | Ball Valve ¾ |
| 14 | 100240007 | Vana Kelebek Erkek -Dişi ½ | Batterfly Valve Male-Female ½ |

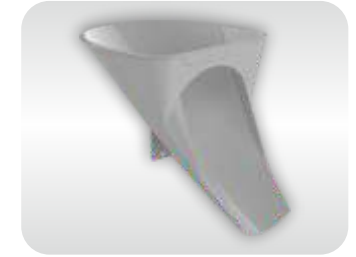
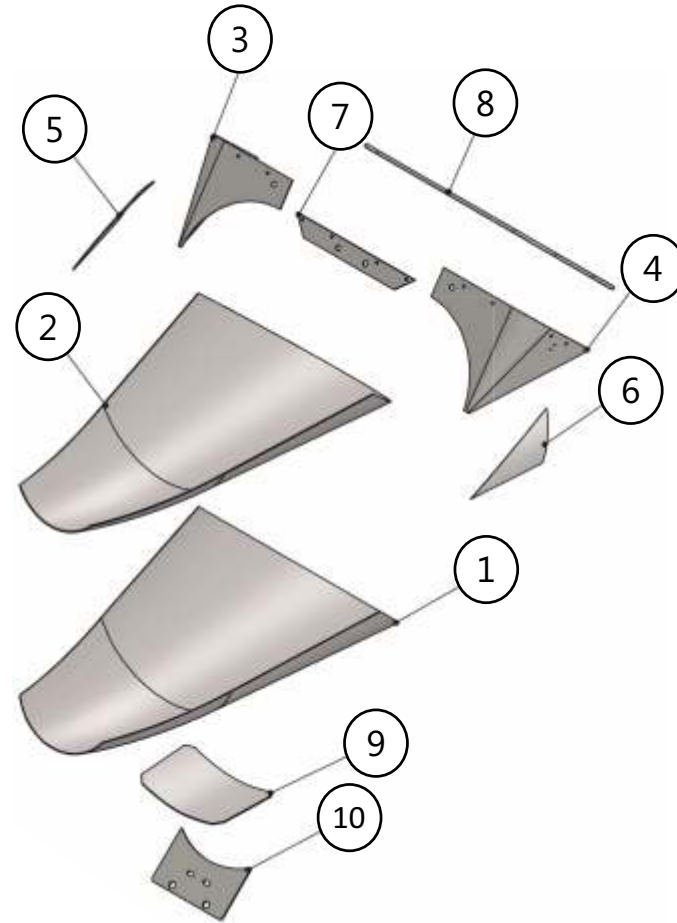


| | TR | EN |
|-----------|-------------|-------------|
| CODE | AÇIKLAMA | EXPLANATION |
| 100270002 | Slump Saati | Slump Meter |



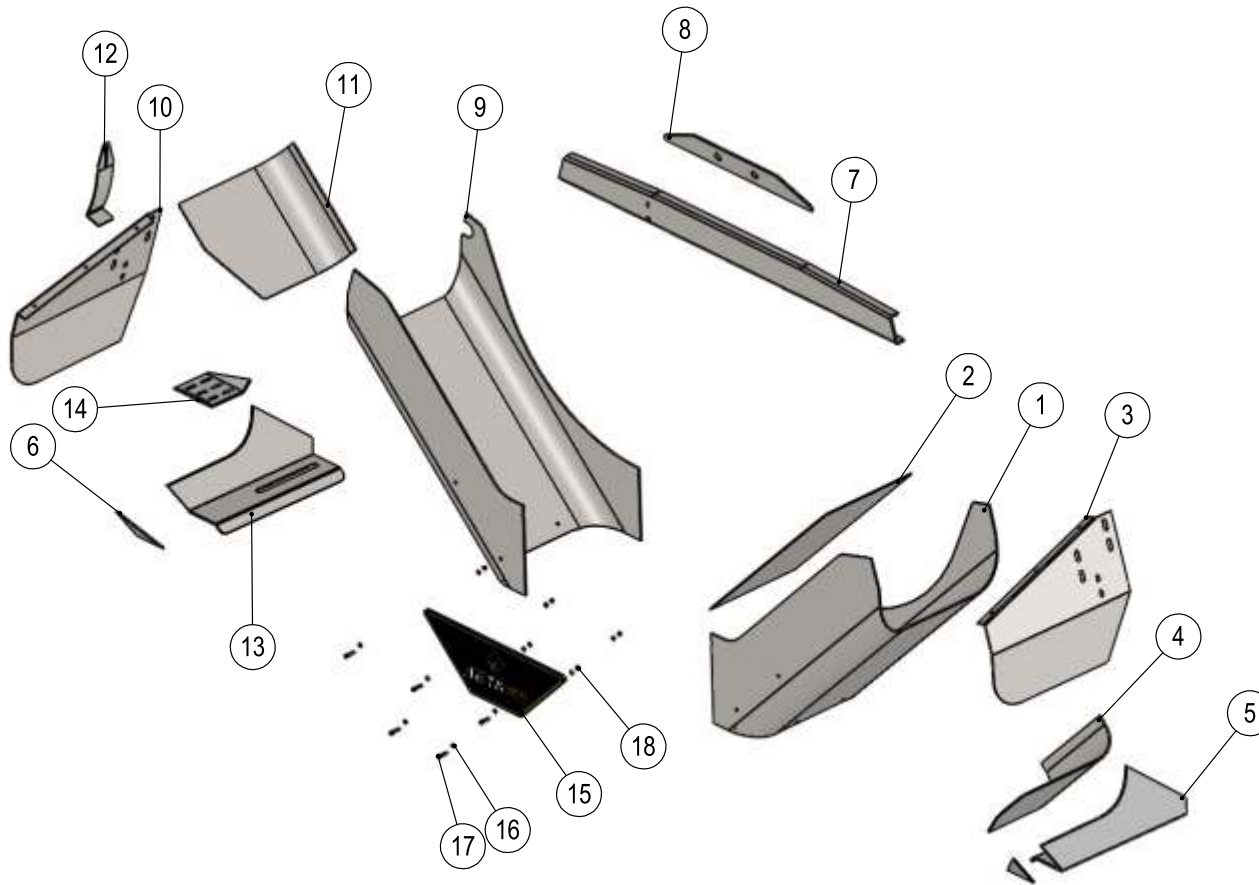
| | TR | EN |
|-----------|--|---|
| | ÇIKLAMA | EXPLANATION |
| 400200091 | Basınçlı Su Tankı İçin Pnömatik Sistem | Pneumatic System For Pressurized Water Tank |

| | TR | EN |
|---|---|--|
| # | ÇIKLAMA | EXPLANATION |
| 1 | 100270036 3F Limit Valfi (Eurotech 316.101.0) | 3F Valve (Eurotech 316.101.0) |
| 2 | 100270035 3F İki Yönlü Valf (Eurotech 177.111.0) | 3F Double-Sided Valve (Eurotech 177.111.0) |
| 3 | 100270073 Basınçlı Hava Sistemi Tahliye Ventili 3/8" 5 Bar (Yerli) | Drain Valve 3/8" 5 Bar |
| 4 | 100270044 Basınçlı Hava Sistemi Üç Yollu Küresel Vana Gövdesi M22x1,5 (Yerli) | Three-Sided Ball Valve Body M22x1,5 |
| 5 | 100270140 Basınçlı Hava Sistemi Üç Yollu Küresel Vana Kulpu | Three-Sided Ball Valve Handle |
| 6 | 100270003 Manometre Dasterm Glis. Alt Çıkış 63 mm. | Manometer Dasterm Glis. Bottom Output 63 mm. |



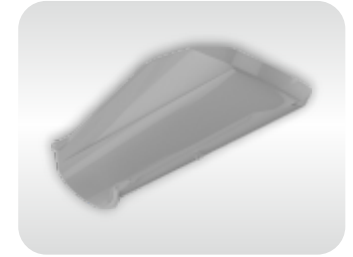
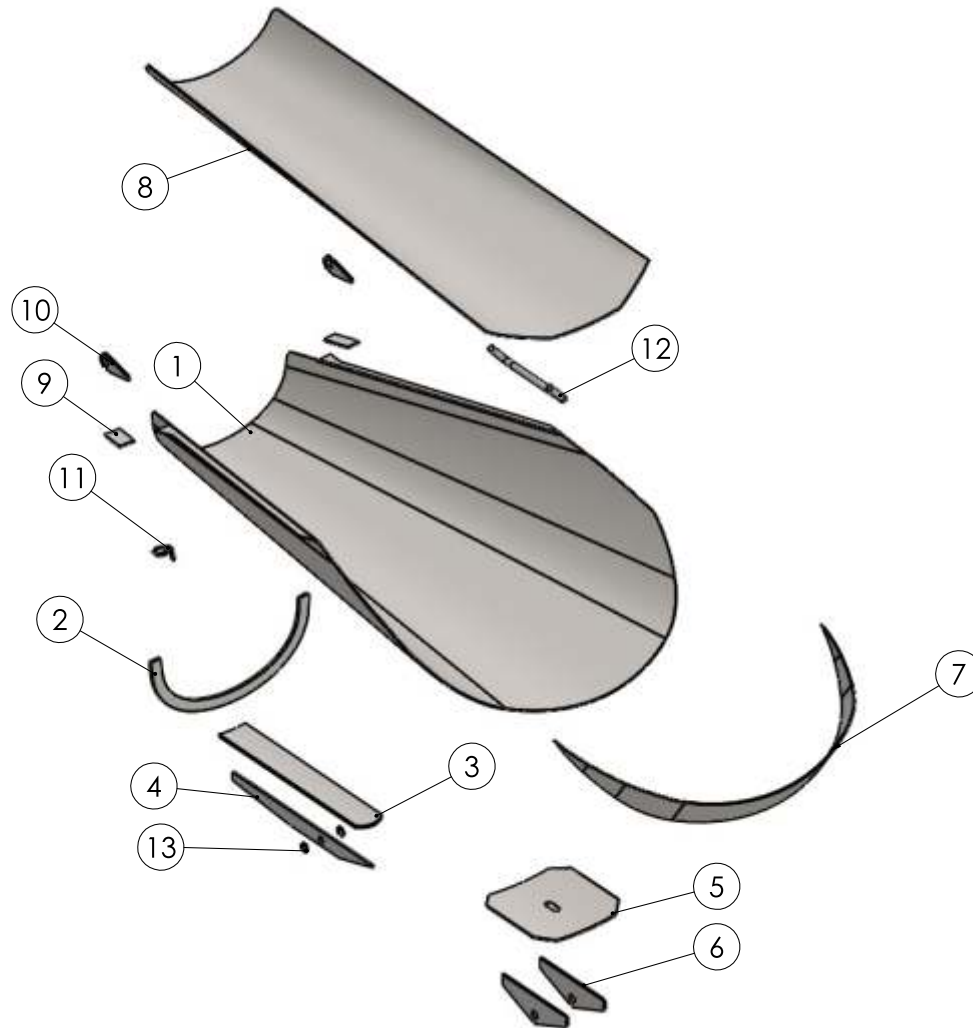
| | TR | EN |
|-----------|---------------------|--------------------|
| CODE | AÇIKLAMA | EXPLANATION |
| 300300001 | Beta Doldurma Oluđu | Beta Feeding Chute |

| | TR | EN | |
|----|-----------|-------------------------------------|--|
| # | CODE | AÇIKLAMA | EXPLANATION |
| 1 | 200301002 | Doldurma Oluđu Gövde Sacı | Beta Feeding Chute Wearing Sheet |
| 2 | 200301001 | Doldurma Oluđu Aşınma Sacı | Beta Feeding Chute Connection Sheet |
| 3 | 200301005 | Doldurma Oluđu Ön Köşe Sacı (Sağ) | Beta Feeding Chute Semilunar Plate |
| 4 | 200301009 | Doldurma Oluđu Ön Köşe Sacı (Sol) | Beta Feeding Chute Semilunar |
| 5 | 200301008 | Doldurma Oluđu Gönye Sacı (Sağ) | Beta Feeding Chute Angled Sheet |
| 6 | 200301006 | Doldurma Oluđu Gönye Sacı (Sol) | Beta Feeding Chute Front Corner Sheet |
| 7 | 200301004 | Doldurma Oluđu Bağlantı Sacı | Beta Feeding Chute Body Sheet |
| 8 | 200301010 | Doldurma Dolama | Transmission Steel |
| 9 | 200301003 | Doldurma Oluđu Yarım Ay Destek Sacı | Beta Feeding Chute Semilunar Support Sheet |
| 10 | 200302001 | Doldurma Oluđu Yarım Ay | Beta Feeding Chute Semilunar |



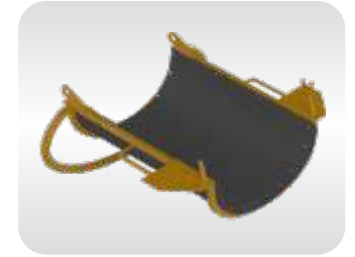
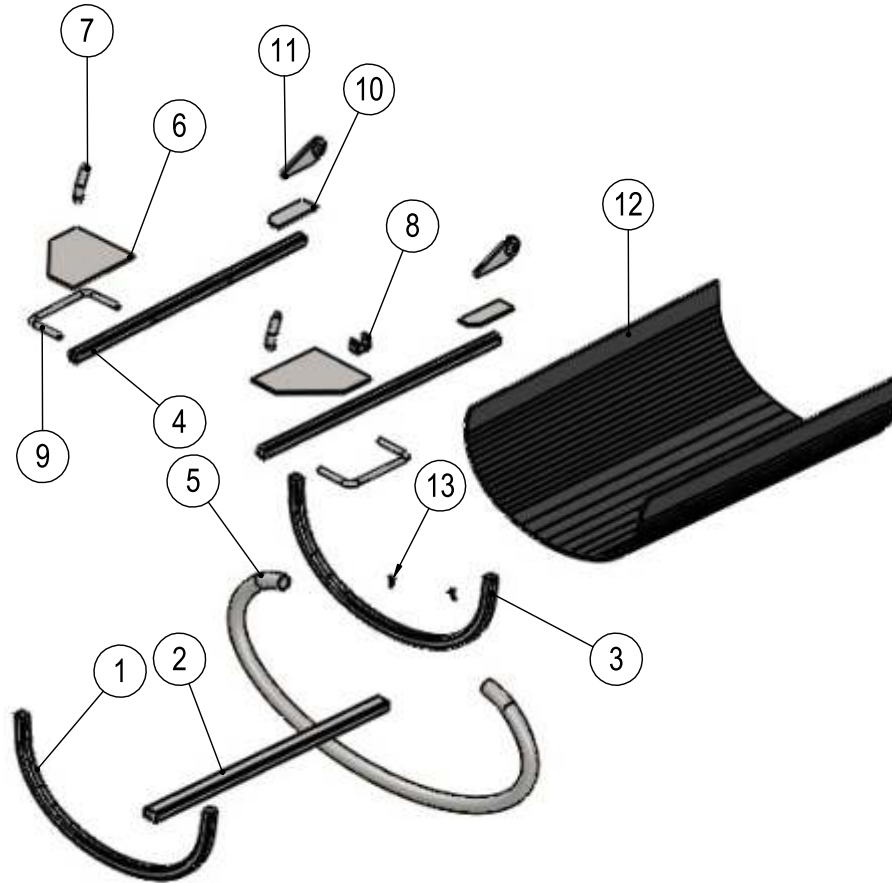
| | TR | EN |
|-----------|-------------|--------------|
| CODE | AÇIKLAMA | EXPLANATION |
| 300250001 | Beta V Oluk | Beta V Chute |

| | TR | EN | |
|----|-----------|---|--|
| # | CODE | AÇIKLAMA | EXPLANATION |
| 1 | 200251010 | Beta V Oluk Gövde Sacı (Sağ) | Beta V Chute Body Sheet (Right) |
| 2 | 200251005 | Beta V Oluk Aşınma Sacı | Beta V Chute Wearing Chute |
| 3 | 200251001 | Beta V Oluk Kapak Sacı (Sağ) | Beta V Chute Cover Sheet (Right) |
| 4 | 200251004 | Beta V Oluk Ayak Altı Destek Sacı (Sağ) | Beta V Chute Base Support Sheet (Right) |
| 5 | 200251003 | Beta V Oluk Ayak Sacı (Sağ) | Beta V Chute Base Sheet (Right) |
| 6 | 200251006 | Beta V Oluk Ayak Kapağı | Beta V Chute Base Cover |
| 7 | 200251002 | Beta V Oluk Gergi Sacı | Beta V Chute Tension Sheet |
| 8 | 200251009 | Beta V Oluk Bağlantı Sacı | Beta V Chute Connection Sheet |
| 9 | 200251011 | Beta V Oluk Gövde Sacı (Sol) | Beta V Chute Body Sheet (Left) |
| 10 | 200251012 | Beta V Oluk Kapak Sacı (Sol) | Beta V Chute Cover Sheet (Left) |
| 11 | 200251014 | Beta V Oluk Ayak Altı Destek Sacı (Sol) | Beta V Chute Base Support Sheet (Left) |
| 12 | 200251008 | Beta V Oluk Hortum Sarma Sacı | Beta V Chute Hose Holder Sheet |
| 13 | 200251013 | Beta V Oluk Ayak Sacı (Sol) | Beta V Chute Base Sheet (Left) |
| 14 | 200251007 | Beta V Oluk Merdiven Bağlantı Sacı | Beta V Chute Ladder Connection Sheet |
| 15 | 100280090 | Beta PVC Levha V Oluk Kabartma Etiket | Beta V Chute PVC Plate Label |
| 16 | 100150073 | Pul DIN 125 M6 | Washer DIN 125 M6 |
| 17 | 100150004 | Vida (HEX-ISO4017-8.8-WS10-(A2K)-M6X30) | Screw (HEX-ISO4017-8.8-WS10-(A2K)-M6X30) |
| 18 | 100150088 | Somun (HEX-SLOK-DIN985-I8I-WS10-(A2K)-M6) | Nut (HEX-SLOK-DIN985-I8I-WS10-(A2K)-M6) |



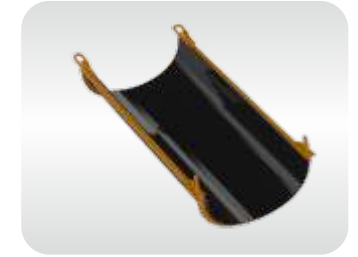
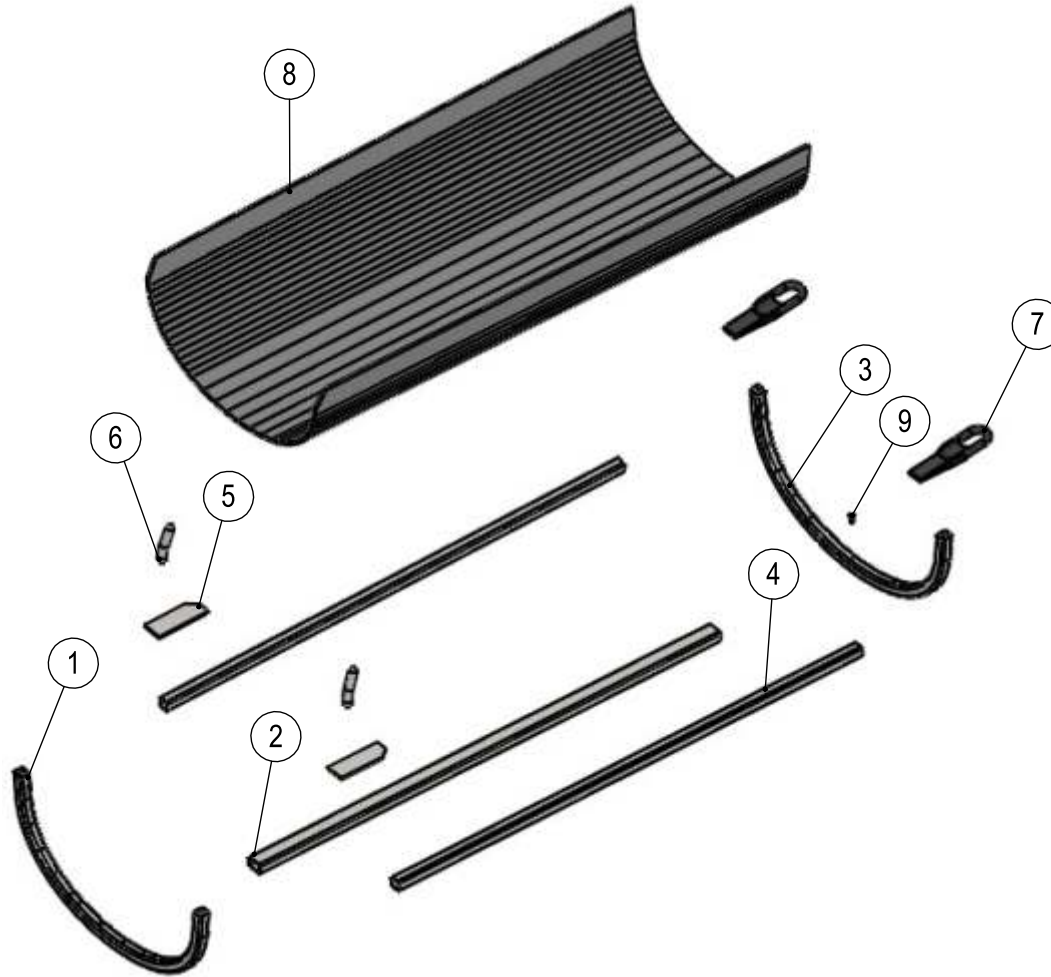
| | TR | EN |
|-----------|---------------------|----------------------|
| CODE | AÇIKLAMA | EXPLANATION |
| 300350003 | Beta Boşaltma Oluğu | Beta Discharge Chute |

| | TR | EN | |
|----|-----------|--|---|
| # | CODE | AÇIKLAMA | EXPLANATION |
| 1 | 200352004 | Beta Boşaltma Oluğu Gövde Sacı | Beta Discharge Chute Body Sheet |
| 2 | 200352009 | Beta Boşaltma Oluğu U Laması | Beta Discharge Chute U Plate |
| 3 | 200352007 | Beta Boşaltma Oluğu Piston Bağlantı Destek Plakası | Beta Discharge Chute Piston Connection Support Plate |
| 4 | 200352005 | Beta Boşaltma Oluğu Piston Bağlantı Sacı | Beta Discharge Chute Piston Connection Plate |
| 5 | 200351003 | Beta Boşaltma Oluğu Deve Boynu Destek Plakası | Beta Discharge Chute Mechanism Support Plate |
| 6 | 200351004 | Beta Boşaltma Oluğu Deve Boynu Bağlantı Sacı | Beta Discharge Chute Mechanism Connection Sheet |
| 7 | 200352002 | Stetter Boşaltma Oluğu Şapka Sacı Ay | Stetter Discharge Chute Cricoid Sheet |
| 8 | 200352001 | Stetter Boşaltma Oluğu Aşınma Sacı Ay | Stetter Discharge Chute Wearing Sheet (Lunate) |
| 9 | 200353001 | Beta Boşaltma Oluğu Katlanır Bağlantı Destek Sacı | Beta Discharge Chute Folding Connection Support Sheet |
| 10 | 200351011 | Beta Boşaltma Oluğu Menteseşi | Beta Discharge Chute Hinge |
| 11 | 200351005 | Beta Boşaltma Oluğu Lastik Tutucu | Beta Discharge Chute Rubber Holder |
| 12 | 200352008 | Stetter Boşaltma Oluğu Çevirme Kolu (Ø16) | Stetter Discharge Chute Turning Lever(Ø16) |
| 13 | 100150067 | Pul M14 Galvaniz | Washer M14 Galvanized |



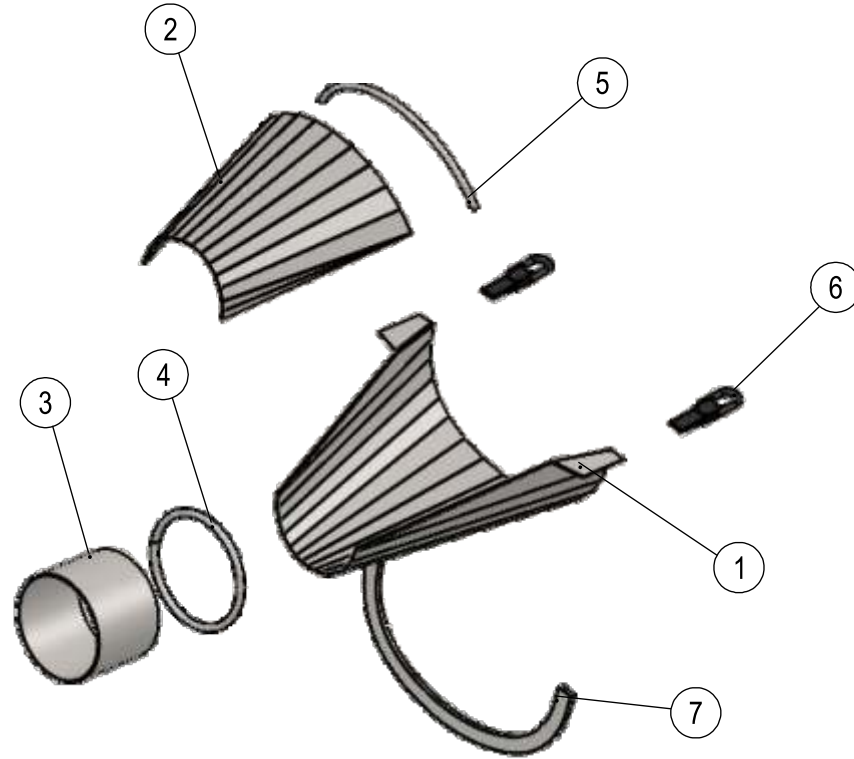
| | TR | EN |
|-----------|---------------------------|--------------------|
| CODE | AÇIKLAMA | EXPLANATION |
| 300550004 | Beta Katlanır Oluk Komple | Beta Folding Chute |

| | TR | EN | |
|----|-----------|---------------------------------------|--------------------------------------|
| # | CODE | AÇIKLAMA | EXPLANATION |
| 1 | 200552006 | Beta Profil Kaburga (Kısa) | Beta Costal Profile (Short) |
| 2 | 200554003 | Beta Katlanır Oluk Destek Profil | Beta Folding Chute Support Profile |
| 3 | 200552001 | Beta Profil Kaburga (Uzun) | Beta Costal Profile (Long) |
| 4 | 200554002 | Beta Katlanır Oluk Yan Profili | Beta Folding Chute Side Profile |
| 5 | 200554005 | Beta Katlanır Oluk Arka Plaka Sacı | Beta Folding Chute Rear Plate Sheet |
| 6 | 200554010 | Beta Katlanır Oluk Pimi | Beta Folding Chute Pin |
| 7 | 200554009 | Beta Katlanır Oluk U Sac | Beta Folding Chute U Sheet |
| 8 | 200554008 | Beta Katlanır Oluk Tutma Transmisyonu | Beta Folding Chute Holder |
| 9 | 200554004 | Beta Katlanır Oluk Sacı | Beta Folding Chute Sheet |
| 10 | 200554006 | Beta Katlanır Oluk Menteşe Sacı | Beta Folding Chute Hinge Sheet |
| 11 | 200554011 | Beta 65cm Katlanır Oluk Lastiği | Beta 65cm Folding Chute Rubber |
| 12 | 100150116 | Yıldız Uçlu 3,9x19 Pullu Akıllı Vida | Cross-Head Self-Tapping Screw 3,9x19 |



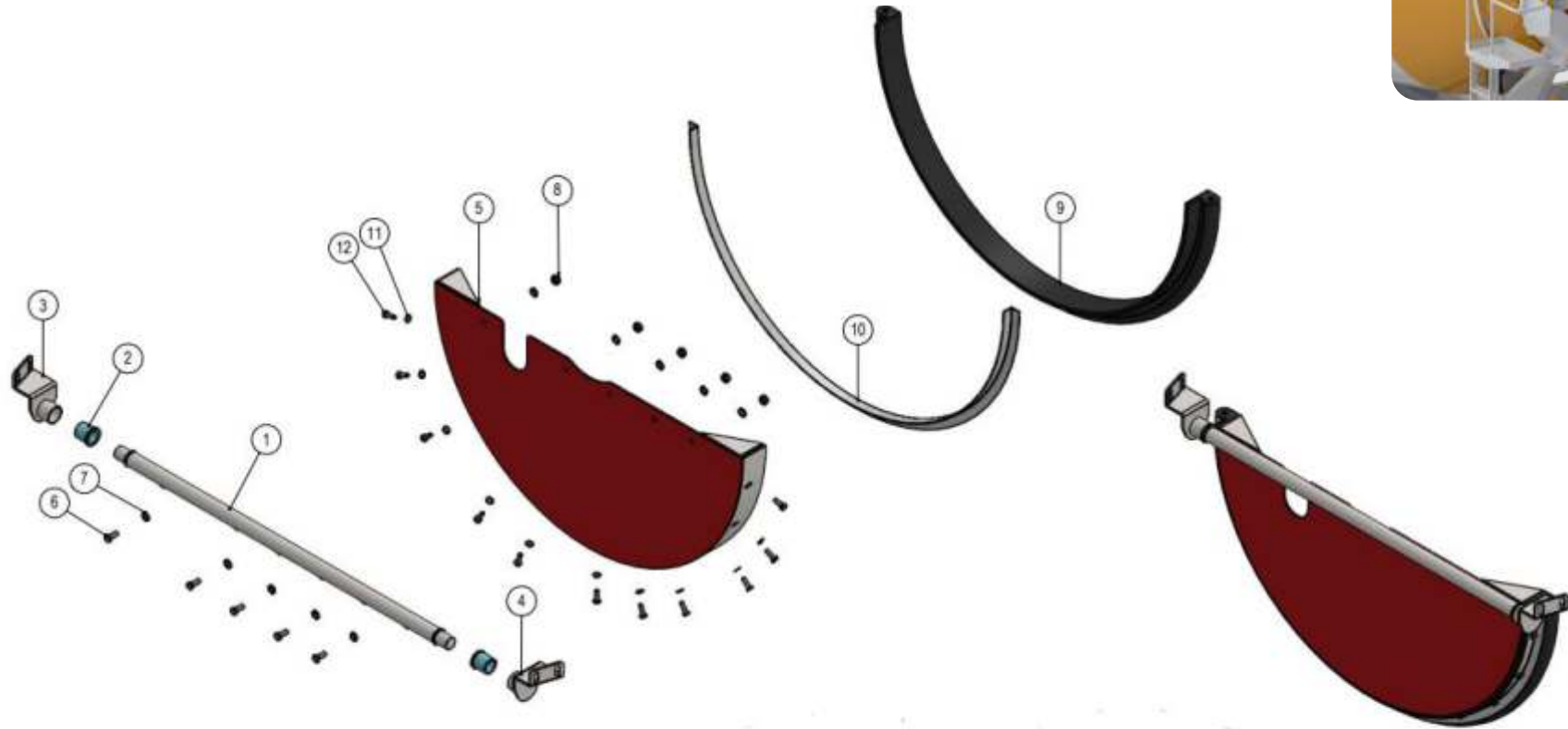
| TR | | EN |
|-----------|------------------------|----------------------|
| CODE | AÇIKLAMA | EXPLANATION |
| 300550002 | Beta İlave Oluk Komple | Beta Extension Chute |

| TR | | EN | |
|----|-----------|--------------------------------------|--------------------------------------|
| # | CODE | AÇIKLAMA | EXPLANATION |
| 1 | 200552006 | Profil Kaburga (Kısa) | Lunar Profile (Short) |
| 2 | 200552003 | İlave Oluk Destek Profil | Extension Chute Support Profile |
| 3 | 200552001 | Profil Kaburga Uzun | Lunar Profile (Long) |
| 4 | 200552002 | İlave Oluk Yan Profil | Extension Chute Side Profile |
| 5 | 200554004 | Katlanır Oluk Sacı | Folding Chute Sheet |
| 6 | 200554010 | Katlanır Oluk Pimi | Folding Chute Pin |
| 7 | 100600008 | İlave Kanca Oluk | Extension Clamp Chute |
| 8 | 200552007 | 100cm Katlanır Oluk Lastiği | 100cm Folding Chute Rubber |
| 9 | 100150116 | Yıldız Uçlu 3.9x19 Pullu Akıllı Vida | Cross-Head Self-Tapping Screw 3,9x19 |



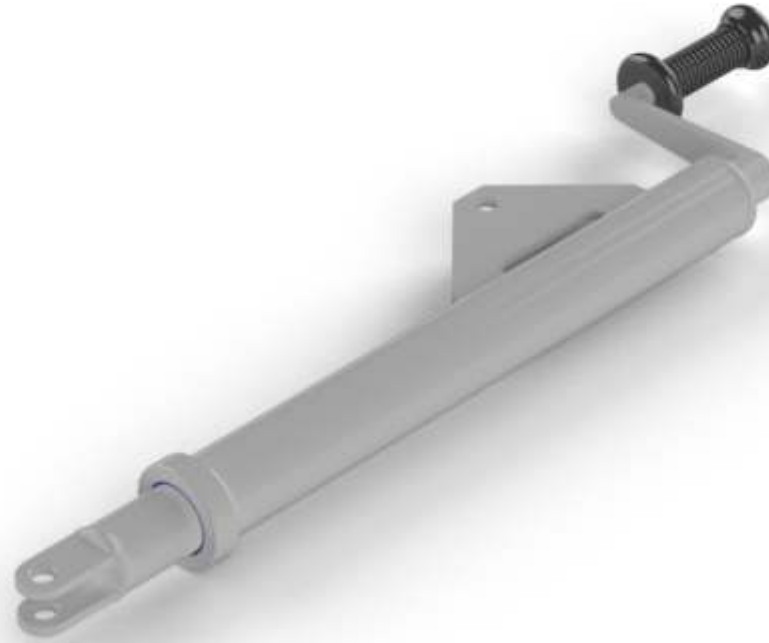
| TR | | EN |
|-----------|----------------------|------------------------|
| CODE | AÇIKLAMA | EXPLANATION |
| 300550006 | Huni Tipi İlave Oluk | Discharge Funnel Chute |

| TR | | EN | |
|----|-----------|--|--|
| # | CODE | AÇIKLAMA | EXPLANATION |
| 1 | 200556001 | Huni Tipi Oluk (Ø200mm) Alt Sac | Discharge Funnel Chute (Ø200mm) Base Sheet |
| 2 | 200556002 | Huni Tipi Oluk (Ø200mm) Üst Sac | Discharge Funnel Chute (Ø200mm) Upper Sheet |
| 3 | 200556003 | Huni Tipi Oluk (Ø200x3,5mm) Boru L=150mm | Discharge Funnel Chute (Ø200x3,5mm) Pipe L=150mm |
| 4 | 200556004 | Huni Tipi Oluk (Ø200mm) Ø12 Dolu Demir-Çıkış | Discharge Funnel Chute (Ø200mm) Ø12 Iron Output Ring |
| 5 | 200556005 | Huni Tipi Oluk (Ø200mm) Ø12 Dolu Demir-Giriş | Discharge Funnel Chute (Ø200mm) Ø12 Iron Input Ring |
| 6 | 100060008 | Kanca Oluk | Clamp Ring |
| 7 | 200556006 | Huni Tipi Oluk Alt Laması | Discharge Funnel Chute Base Plate |

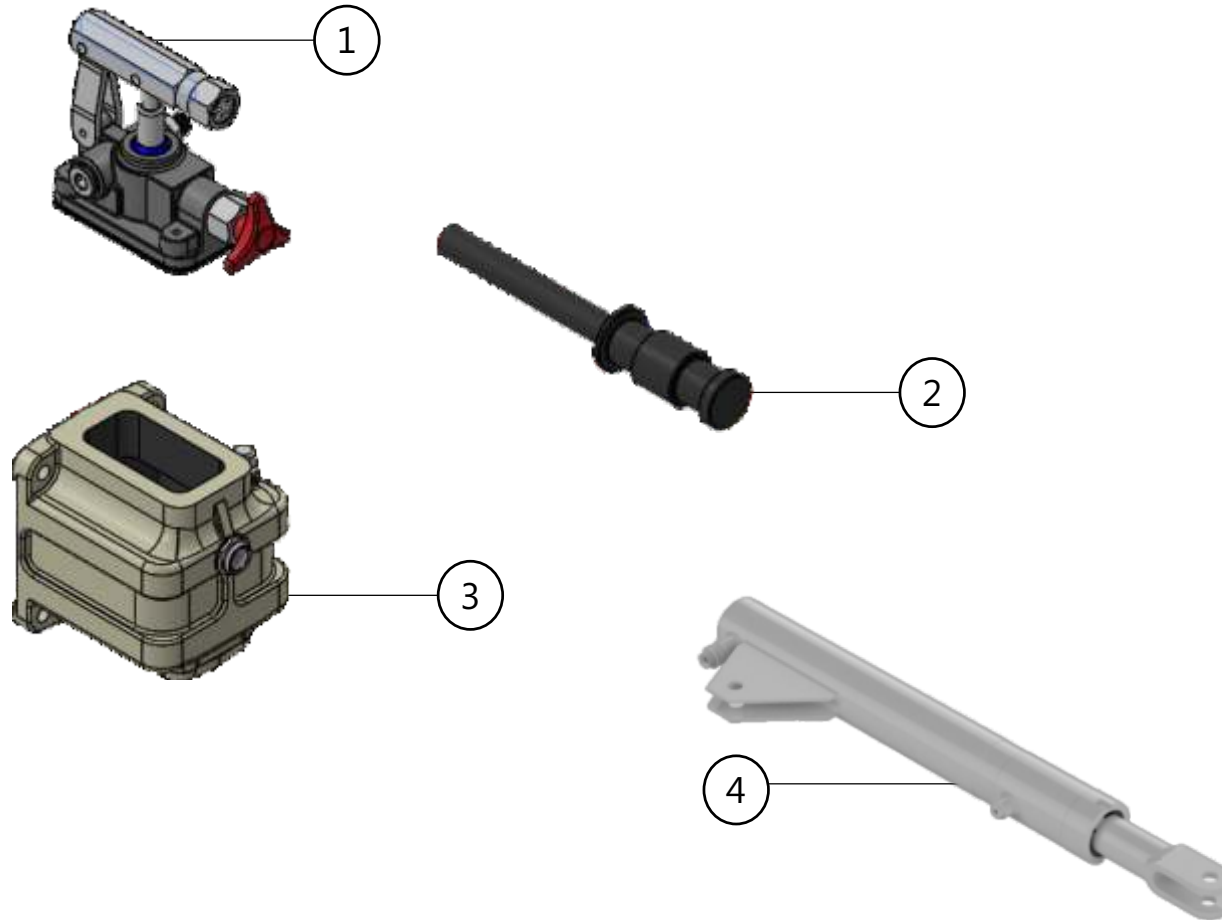


| TR | | EN |
|-----------|----------------|------------------|
| CODE | AÇIKLAMA | EXPLANATION |
| 300600001 | Ekolojik Kapak | Ecological Cover |

| TR | | EN | |
|----|-----------|--|--|
| # | CODE | AÇIKLAMA | EXPLANATION |
| 1 | 200602006 | Ekolojik Kapak Gövde Mili | Ecological Cover Body Shaft |
| 2 | 200600014 | Ekolojik Kapak Fiberi | Ecological Cover Fiber |
| 3 | 200602008 | Ekolojik Kapak B3 Bağlantı Kulak (Sol) | Ecological Cover B3 Connection (Left) |
| 4 | 200602007 | Ekolojik Kapak B3 Bağlantı Kulak (Sağ) | Ecological Cover B3 Connection (Right) |
| 5 | 200602005 | Ekolojik Kapak Gövde | Ecological Cover Body |
| 6 | 100150024 | Galvaniz Cıvata DIN933 M12X30 (8.8) | Galvanized Bolt DIN933 M12X30 (8.8) |
| 7 | 100150066 | Galvaniz Pul DIN125 M12 | Galvanized Washer DIN125 M12 |
| 8 | 100150079 | Fiberli Somun DIN985 M12 | Fibered Nut DIN985 M12 |
| 9 | 200600010 | Ekolojik Kapak Conta | Ecological Cover Gasket |
| 10 | 200600009 | Ekolojik Kapak Köşebent | Ecological Cover Brace |
| 11 | 100150065 | Pul DIN125 M10 | Washer DIN125 M10 |
| 12 | 100150018 | Galvaniz Cıvata DIN933 M10X30 (8.8) | Galvanized Bolt DIN933 M10X30 (8.8) |

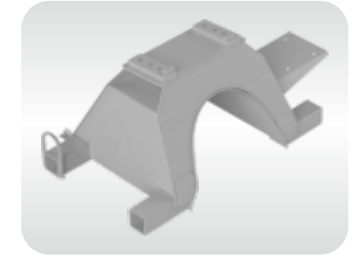
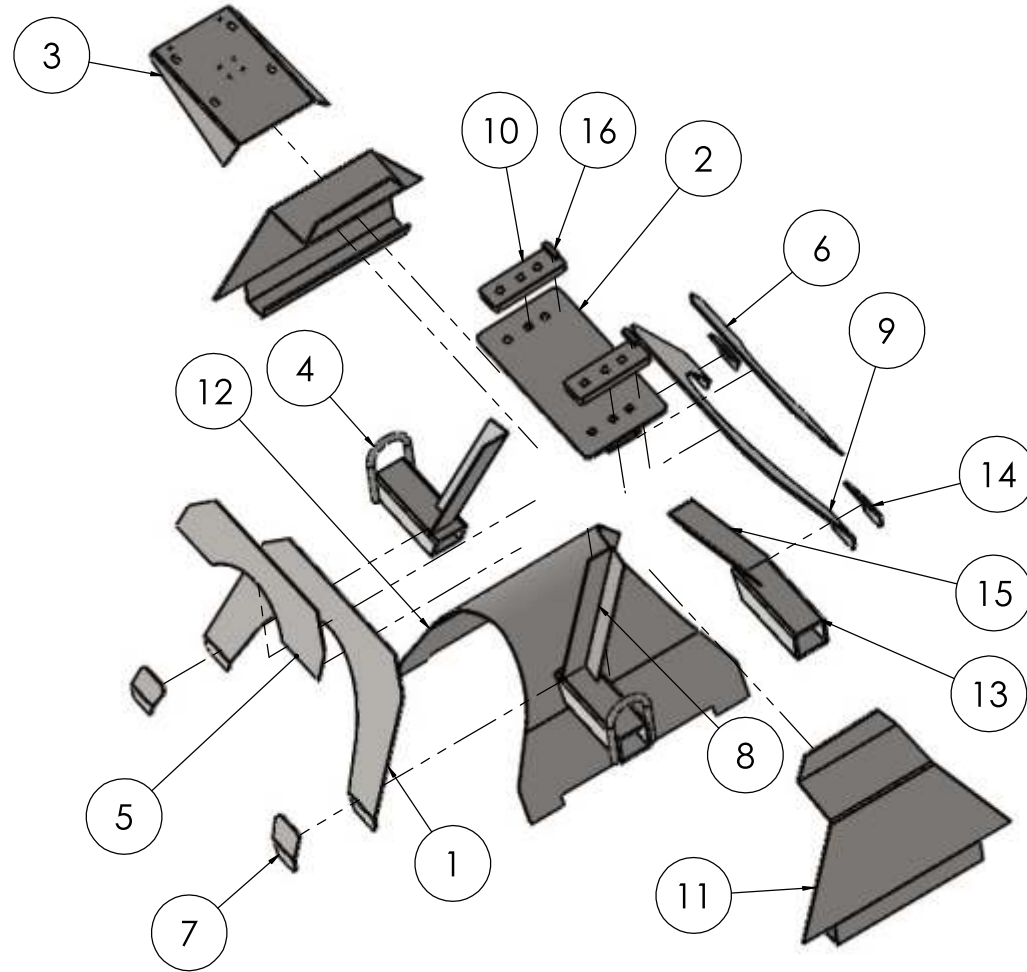


| | TR | EN |
|-----------|---------------|-----------------|
| CODE | AÇIKLAMA | EXPLANATION |
| 100140022 | Mekanik Kriko | Mechanical Jack |



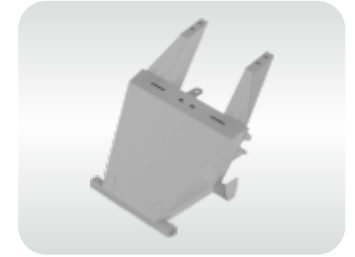
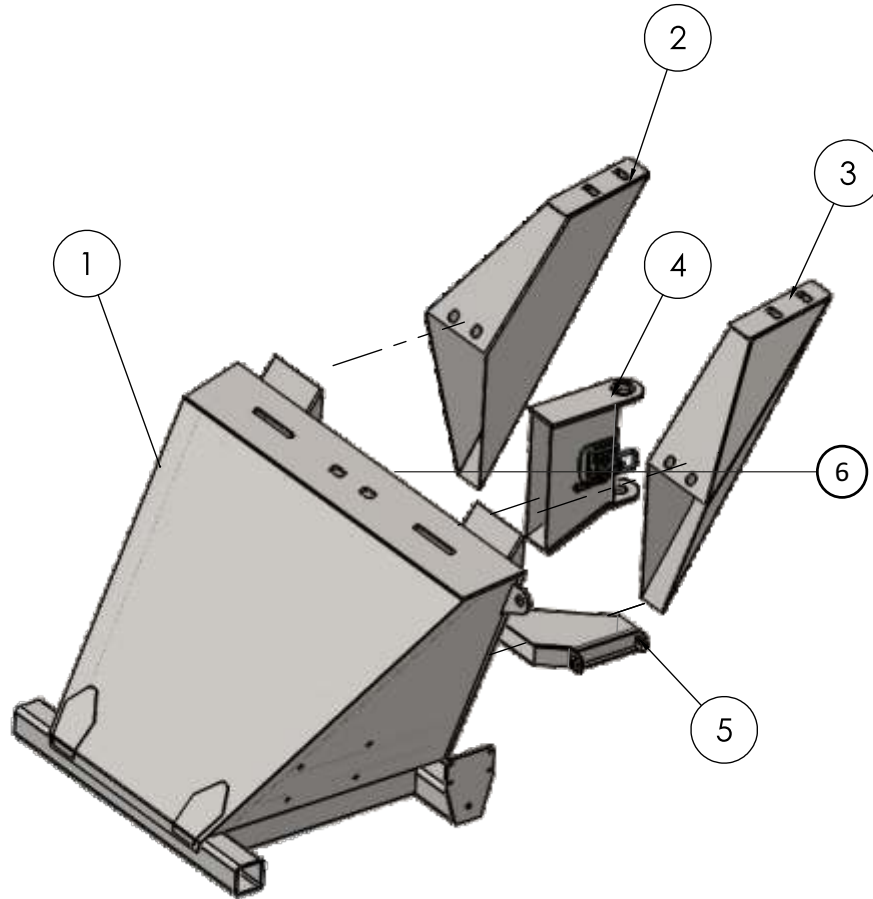
| | TR | EN |
|-----------|----------------|----------------|
| CODE | AÇIKLAMA | EXPLANATION |
| 400200079 | Hidrolik Kriko | Hydraulic Jack |

| | TR | EN | |
|---|-----------|-----------------------------------|--|
| # | CODE | AÇIKLAMA | EXPLANATION |
| 1 | 100090059 | Kriko Üst Gövde (Tek Tesirli) | Hydraulic Jack Upper Body (Single Lap) |
| 2 | 100090074 | Kriko Üst Gövde Kolu | Hydraulic Jack Upper Body Lever |
| 3 | 100090063 | Kriko Deposu Alüminyum 1Lt. | Hydraulic Jack Storage 1 Lt. |
| 4 | 100090064 | Döner Oluk Pistonu (Tek Tesirli) | Distribution Chute Piston (Single Lap) |



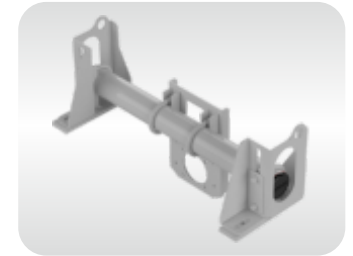
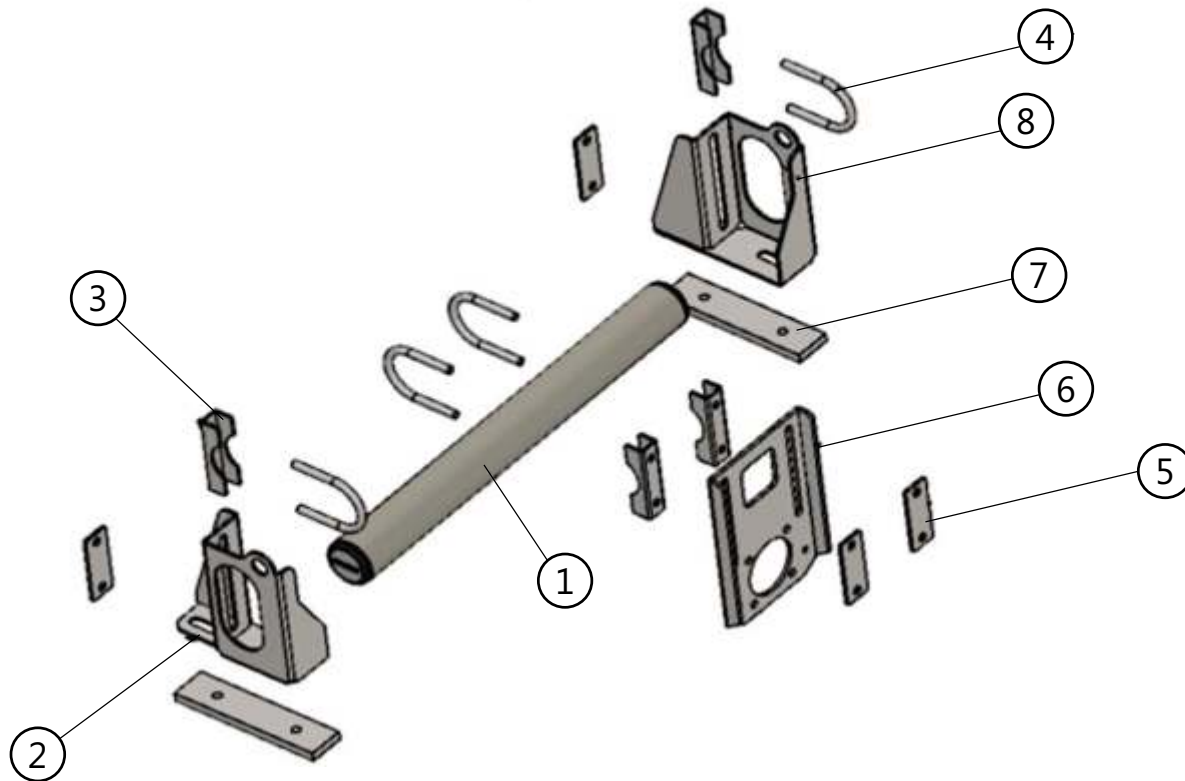
| | TR | EN |
|-----------|-----------|---------------|
| CODE | AÇIKLAMA | EXPLANATION |
| 300150019 | Ön Konsol | Front Support |

| | TR | EN | |
|----|-----------|--------------------------------------|--|
| # | CODE | AÇIKLAMA | EXPLANATION |
| 1 | 200169001 | Ön Konsol Ön Sac | Front Support Front Sheet |
| 2 | 200158007 | Ön Konsol Redüktör Tablası | Front Support Gearbox Panel |
| 3 | 200159004 | Ön Konsol Soğutucu Sacı | Front Support Condenser Sheet |
| 4 | 100060012 | Ön Konsol 18x100x170 U | Front Support 18x100x170 U |
| 5 | 200162003 | Ön Konsol Ön Takviye | Front Support Front Reinforcement |
| 6 | 200162004 | Ön Konsol Arka Takviye | Front Support Rear Reinforcement |
| 7 | 200158005 | Ön Konsol Profil Takviye | Front Support Profile Reinforcement |
| 8 | 200169004 | Ön Konsol İç Destek Köşe Bendi | Front Support Internal Brace |
| 9 | 200162001 | Ön Konsol Arka Sac | Front Support Rear Sheet |
| 10 | 200158011 | 25mm Redüktör Laması (L=230 mm) | 25mm Gearbox Plate (L=230mm) |
| 11 | 200169003 | Ön Konsol Sol Sac | Front Support Sheet (Left) |
| 12 | 200158008 | Ön Konsol Kapama Sacı | Front Support Cover Sheet |
| 13 | 200158004 | Ön Konsol Profili 100x100 (L=295 mm) | Front Support Profile 100x100 (L=295 mm) |
| 14 | 200158014 | Ön Konsol Profil Takviye (Sol) | Front Support Profile Reinforcement (Left) |
| 15 | 200169005 | Ön Konsol İç Destek Köşebenti (Sol) | Front Support Internal Brace (Left) |
| 16 | 200158017 | Ön Konsol Redüktör Sabitleme Laması | Front Support Gearbox Fixing Plate |
| 17 | 200169002 | Ön Konsol Sağ Sac | Front Support Sheet (Right) |



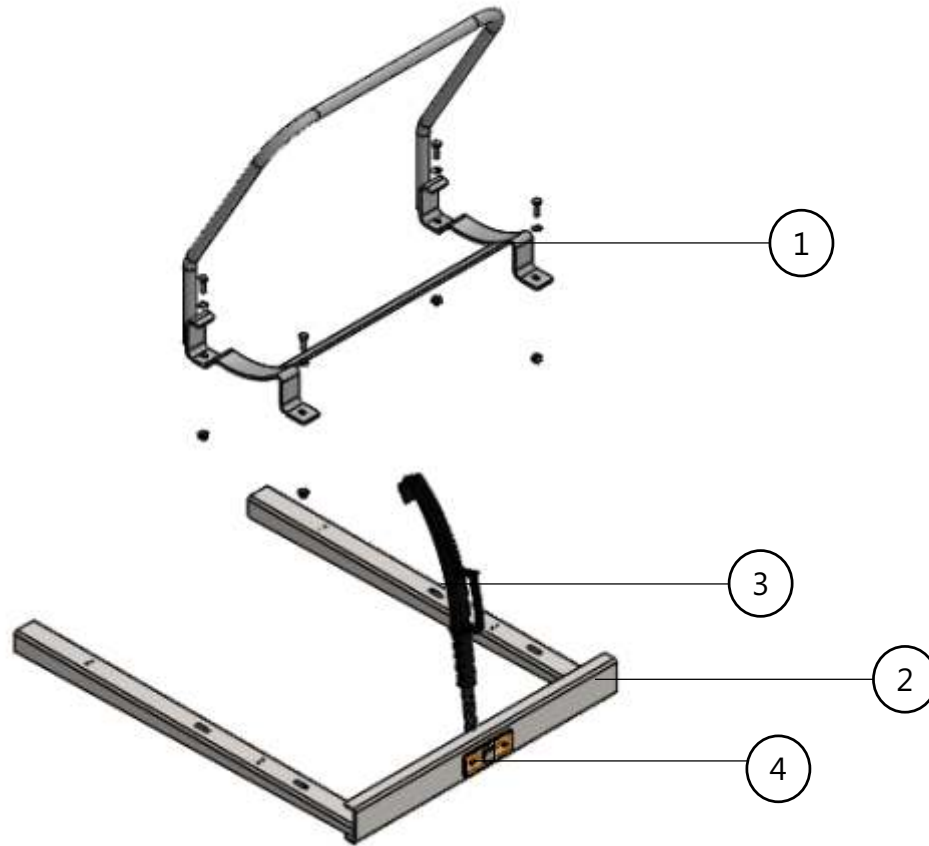
| TR | | EN |
|-----------|-------------|--------------|
| CODE | AÇIKLAMA | EXPLANATION |
| 300200028 | Arka Konsol | Rear Support |

| TR | | EN | |
|----|-----------|---|--|
| # | CODE | AÇIKLAMA | EXPLANATION |
| 1 | 300200027 | Beta Arka Konsol Alt Kısım | Beta Rear Support Base |
| 2 | 300220004 | Beta Arka Konsol Kol (Sol) | Beta Rear Support Lever (Left) |
| 3 | 300220003 | Beta Arka Konsol Kol (Sağ) | Beta Rear Support Lever (Right) |
| 4 | 300820002 | Beta Arka Konsol Mekanizma Bağlantı Ayağı | Beta Rear Support Mechanism Connection Leg |
| 5 | 300410005 | Merdiven Konsol | Ladder Console |
| 6 | 100060021 | Kukamet 341-5 L (Logolu) | Clamp 341-5 L (With Logo) |



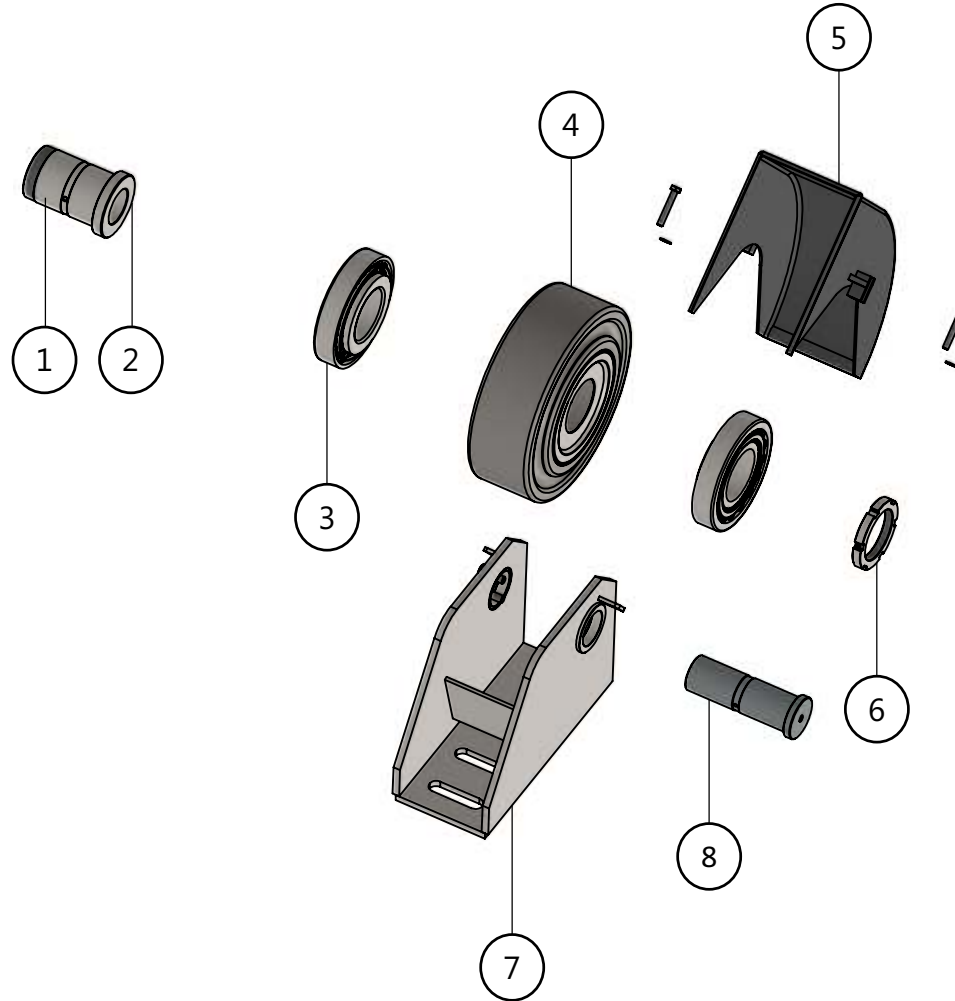
| | TR | EN |
|-----------|---------------|--------------|
| CODE | AÇIKLAMA | EXPLANATION |
| 300890003 | Pompa Konsolu | Pump Support |

| | TR | EN | |
|---|-----------|---|--|
| # | CODE | AÇIKLAMA | EXPLANATION |
| 1 | 200893002 | Pompa Bağlantı Borusu (Ø105x5) | Pump Connection Pipe (Ø105x5) |
| 2 | 200893007 | Beta Pompa Konsolu Sol Ayak Sacı | Beta Pump Support Left Leg Sheet |
| 3 | 200893008 | Beta Pompa Konsolu Boru Sabitleme Sacı | Beta Pump Support Pipe Fixing Sheet |
| 4 | 100060014 | Beta Pompa Konsolu Boru U Bağlantı | Beta Pump Support Pipe U Connection |
| 5 | 200893009 | Pompa Konsolu U Bağlantı Pul Takviye Sacı | Pump Support U Connection Washer Reinforcement Sheet |
| 6 | 200893003 | Pompa Bağlantı Sacı (Uzun) | Pump Connection Sheet (Long) |
| 7 | 200893006 | Beta Pompa Konsolu Ayak Bağlantı Laması | Beta Pump Support Base Connection Plate |
| 8 | 200893001 | Beta Pompa Konsolu Sağ Ayak Sacı | Beta Pump Support Base Sheet (Right) |



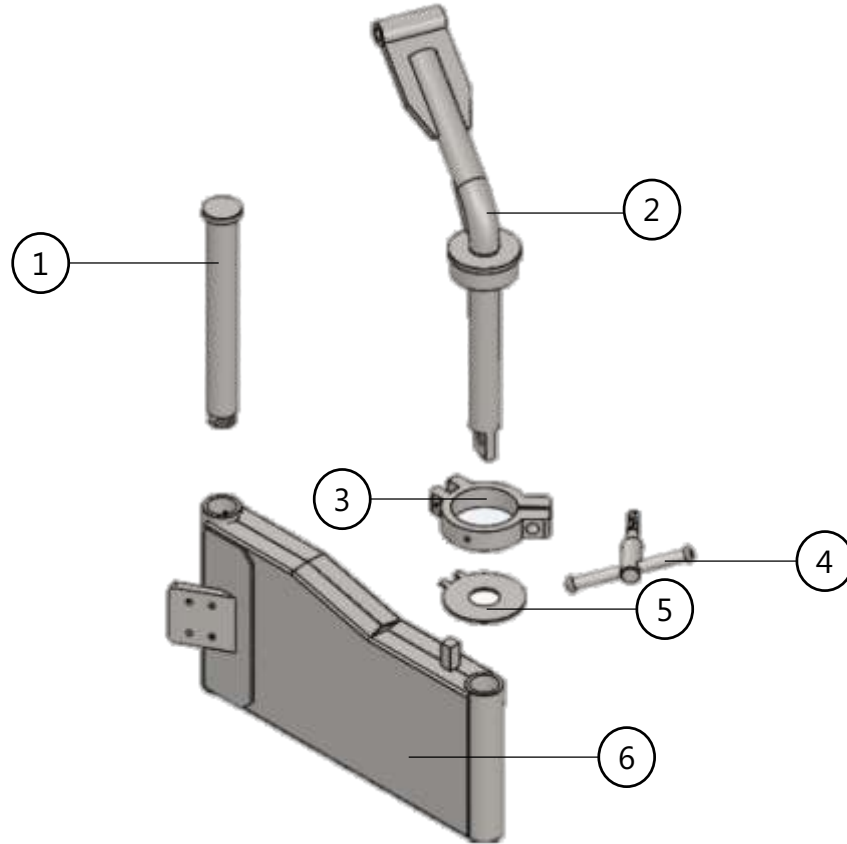
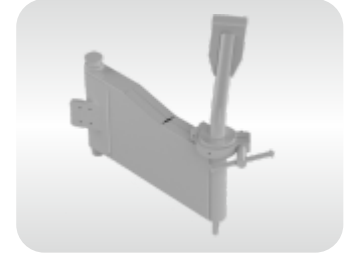
| | TR | EN |
|-----------|--------------------|-------------------------|
| CODE | AÇIKLAMA | EXPLANATION |
| 400200161 | İlave Oluk Konsolu | Extension Chute Support |

| | TR | EN | |
|---|-----------|--|-----------------------------------|
| # | CODE | AÇIKLAMA | EXPLANATION |
| 1 | 300880002 | Beta İlave Oluk Konsolu | Beta Extension Chute Support |
| 2 | 300880005 | Beta İlave Oluk Alt Konsolu | Beta Extension Chute Base Support |
| 3 | 100130022 | İlave Oluk Gergi Yayı | Extension Chute Tension String |
| 4 | 100070044 | Lamba Arkası Kapalı SA-BA Ledli Yan 24 V | Back-Covered LED SA-BA 24 V |



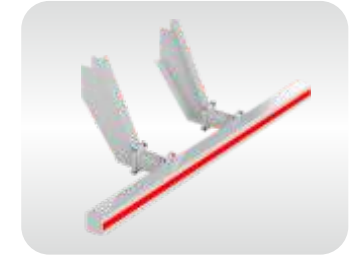
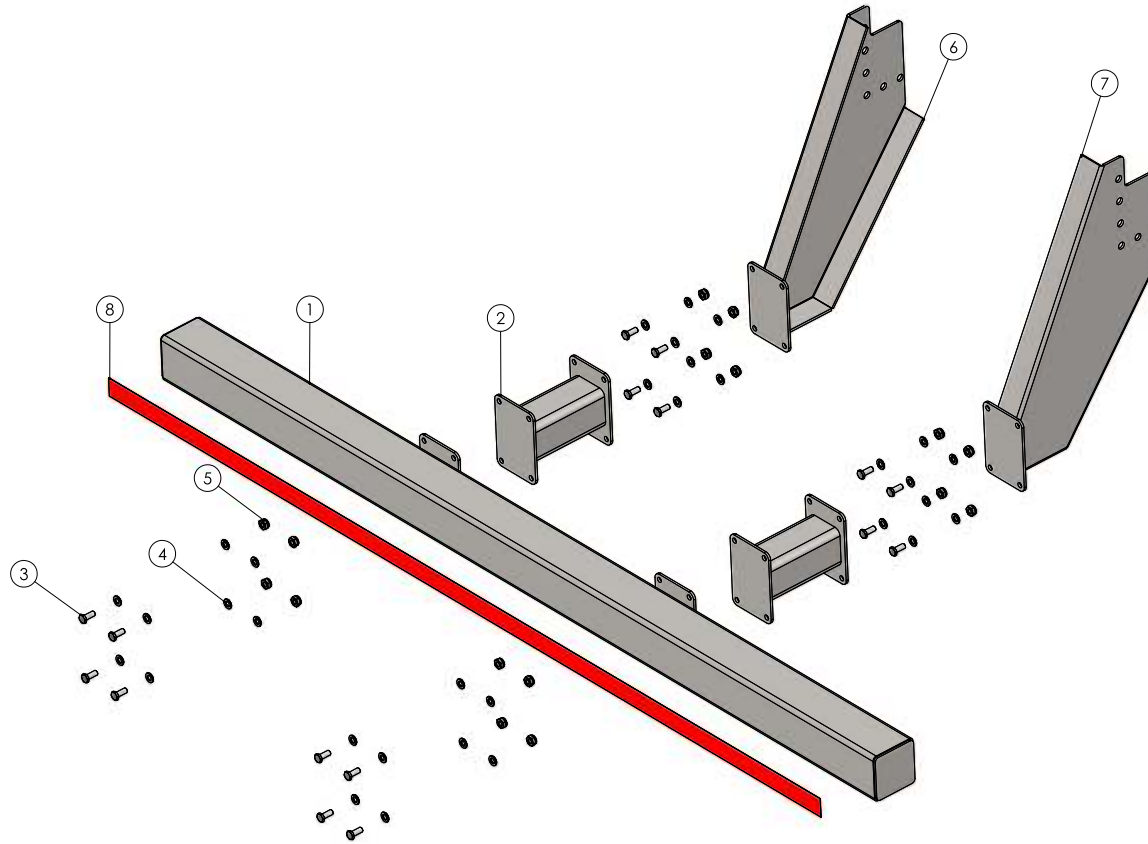
| | TR | EN |
|------|--------------------|------------------|
| CODE | AÇIKLAMA | EXPLANATION |
| | Makara Mekanizması | Roller Mechanism |

| | TR | EN | |
|---|-----------|----------------------------------|------------------------------|
| # | CODE | AÇIKLAMA | EXPLANATION |
| 1 | 200523003 | Beta 280x160 Makara Kovanı | Beta 280x160 Roller Case |
| 2 | 200523001 | Beta Makara Toz Kapağı | Beta Roller Dust Cover |
| 3 | 100020002 | Rulman 30315 | Bearing 30315 |
| 4 | 100200005 | Makara 280x160 | Roller 280x160 |
| 5 | 100130020 | Makara Kapağı | Roller Cover |
| 6 | 200523004 | Beta 280x160 Makara Kovan Somunu | Beta 280x160 Roller Case Nut |
| 7 | 300500011 | Beta 280x160 Makara Desteği | Beta 280x160 Roller Support |
| 8 | 200900004 | Makara Mili Ø50 | Roller Shaft Ø50 |



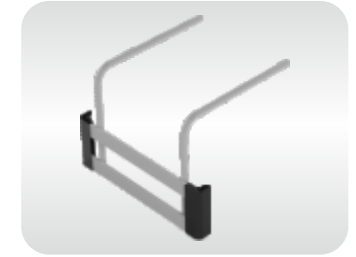
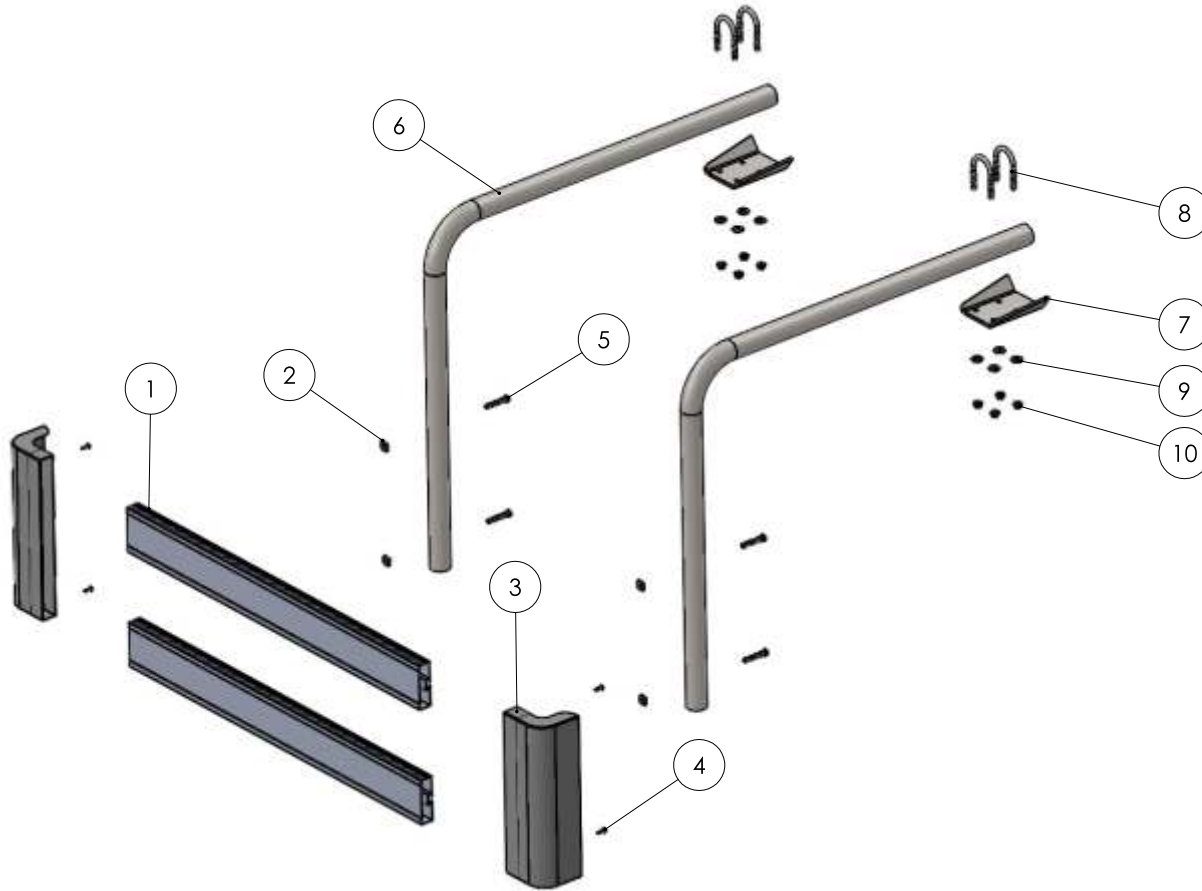
| | TR | EN |
|-----------|------------------------|---------------------------|
| CODE | AÇIKLAMA | EXPLANATION |
| 300350003 | Döner Oluk Mekanizması | Discharge Chute Mechanism |

| | TR | EN | |
|---|-----------|-----------------------------|-----------------------------|
| # | CODE | AÇIKLAMA | EXPLANATION |
| 1 | 200900021 | Mekanizma Bağlantı Mili | Mechanism Connection Mill |
| 2 | 300810002 | Beta Deveboynu | Beta Mechanism |
| 3 | 200900019 | Mekanizma Kelepçe Borusu | Mechanism Clamp Pipe |
| 4 | 200900078 | Boşaltma Oluğu Sıkma Kolu | Discharge Chute Camp Lever |
| 5 | 200900020 | Mekanizma Kelepçe Altı Sacı | Mechanism Clamp Base Sheet |
| 6 | 300800002 | Beta Mekanizma Kaynaklı Kol | Beta Mechanism Welded Lever |



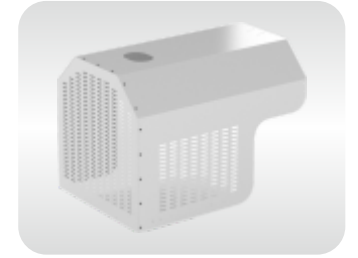
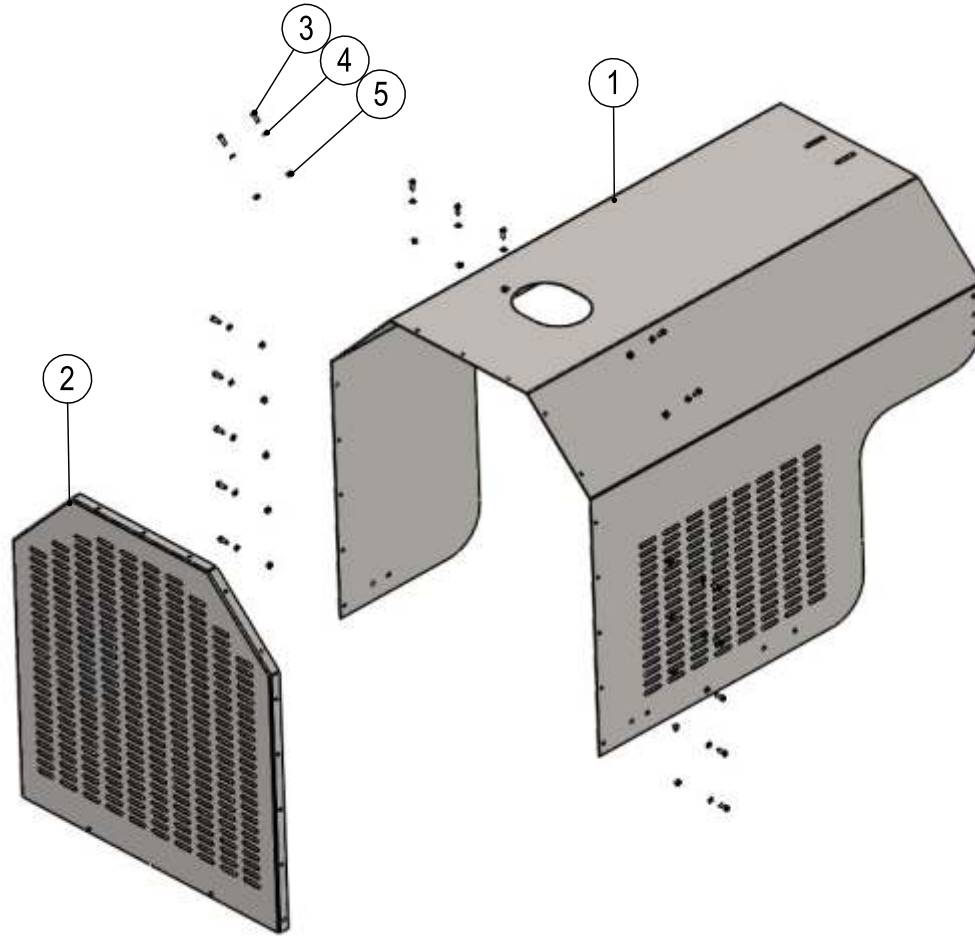
| | TR | EN |
|-----------|-------------|-------------|
| CODE | AÇIKLAMA | EXPLANATION |
| 300270001 | Tampon Barı | Bumper Bar |

| # | CODE | TR | EN |
|---|-----------|---------------------------------------|---------------------------------------|
| | | AÇIKLAMA | EXPLANATION |
| 1 | 200271008 | Tampon Profili | Bumper Profile |
| 2 | 200271006 | Tampon Ara Profil | Bumper Intermediate Profile |
| 3 | 100150024 | Galvaniz Cıvata DIN933 M12X30 (8.8) | Galvanized Bolt DIN933 M12X30 (8.8) |
| 4 | 100150066 | Galvaniz Pul DIN125 M12 | Galvanized Washer DIN125 M12 |
| 5 | 100150079 | Fiberli Galvaniz Somun DIN985 M12 (8) | Fibered Galvanized Nut DIN985 M12 (8) |
| 6 | 200271001 | Tampon Ayağı (Sağ) | Bumper Leg (Right) |
| 7 | 100271004 | Tampon Ayağı (Sol) | Bumper Leg (Left) |
| 8 | 200271011 | Tampon Barı Reflektör | Bumper Bar Reflector |



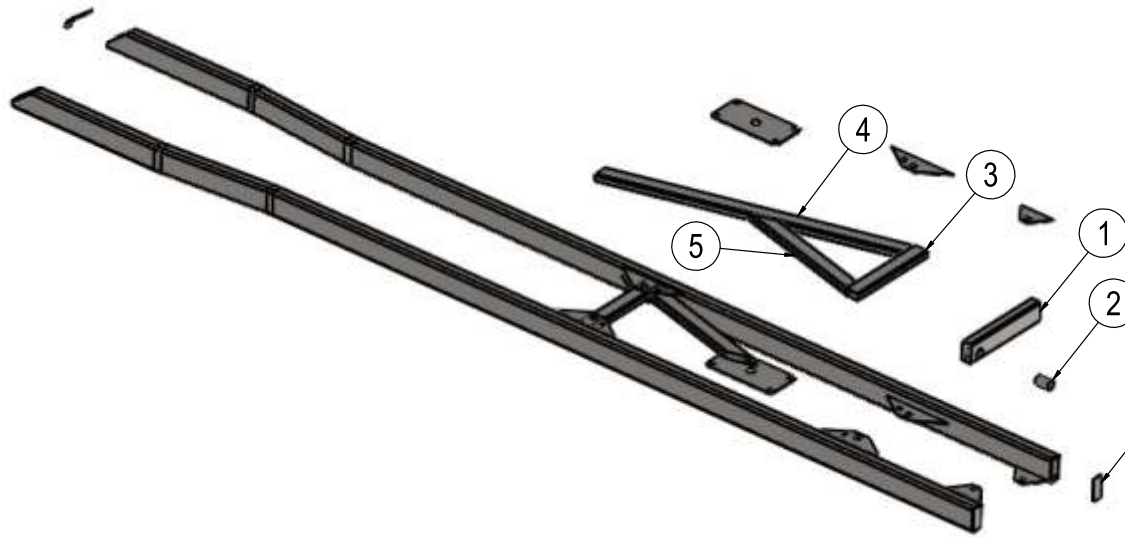
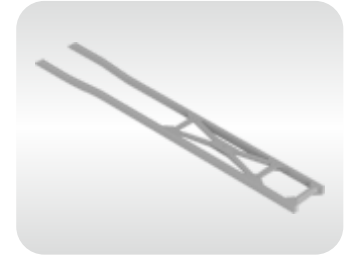
| | TR | EN |
|-----------|-----------------|-------------|
| CODE | AÇIKLAMA | EXPLANATION |
| 300950001 | Bisiklet Koruma | Bicycle Bar |

| | TR | EN | |
|----|-----------|--|--|
| # | CODE | AÇIKLAMA | EXPLANATION |
| 1 | 200951001 | 10x20x900mm Alüminyum | 10x20x900mm Aluminium |
| 2 | 100150102 | M8 Kare Somun | M8 Square Nut |
| 3 | 100130059 | Çiftli Oval Bisiklet Koruma Başlık (Plastik) | Doubled Elliptic Bicycle Bar Cap (Plastic) |
| 4 | 100150116 | Matkap Uçlu Flanşlı Vida 4.2 x 19 | Self-Drilling Flanged Screw |
| 5 | 100150014 | DIN 933 M8X50 (8.8) Galvaniz | DIN 933 M8X50 (8.8) Galvanized |
| 6 | 200951002 | Bisiklet Koruma Destek Borusu | Bicycle Bar Support Pipe |
| 7 | 200951003 | Bisiklet Koruma L Boru Sacı | Bicycle Bar L Pipe Sheet |
| 8 | 100150107 | M8 L:80 U Cıvata Galvaniz | M8 L:80 U Bolt Galvanized |
| 9 | 100150074 | Galvaniz Pul Ø22xØ8.4x2.3 mm | Galvanized Washer Ø22xØ8.4x2.3 mm |
| 10 | 100150091 | DIN6923 M8 Flanşlı Somun (8) Galvaniz | DIN6923 M8 Flanged Nut (8) Galvanized |



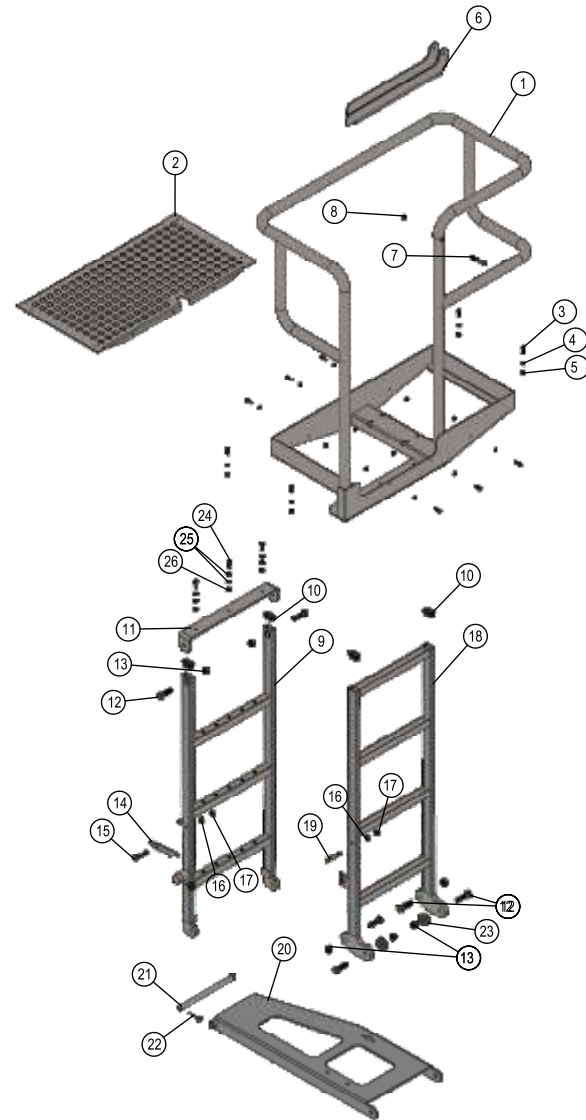
| CODE | TR AÇIKLAMA | EN EXPLANATION |
|-----------|----------------|-------------------|
| 300940002 | Motor Koruma | Motor Bar |

| # | CODE | TR AÇIKLAMA | EN EXPLANATION |
|---|-----------|--|--|
| 1 | 200942001 | Motor Koruma Sacı (6 Silindir Mikser) | Motor Bar Sheet (6-Cylinder Mixer) |
| 2 | 200942002 | Motor Koruma Sacı Kapağı (6 Silindir Mikser) | Motor Bar Sheet Cover (6-Cylinder Mixer) |
| 3 | 100150003 | Cıvata DIN933 (8.8) M6X20 | Bolt DIN933 (8.8) M6X20 |
| 4 | 100150073 | Pul DIN125 M6 | Washer DIN125 M6 |
| 5 | 100150090 | Somun DIN 6923 M6 | Nut DIN 6923 M6 |



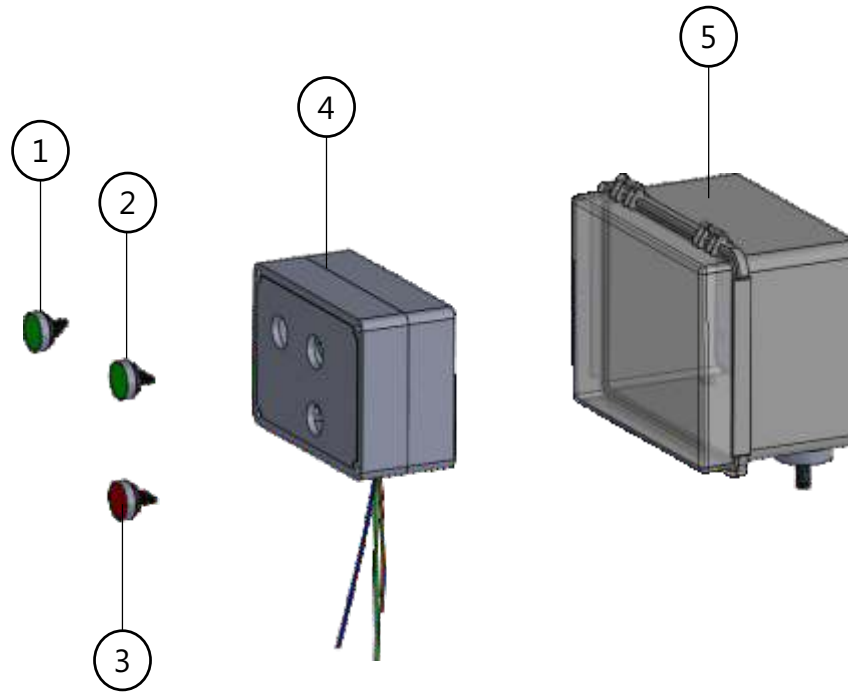
| | TR | EN |
|------|----------|-------------|
| CODE | AÇIKLAMA | EXPLANATION |
| | Şasi | Chassis |

| | TR | EN | |
|----|-----------|-------------------------------------|---|
| # | CODE | AÇIKLAMA | EXPLANATION |
| 1 | 200455001 | Şasi 160x80 Profil | Chassis 160x80 Profile |
| 2 | 200451021 | 160x80 Profil Ön Kapak Sacı | 160x80 Profile Front Cover Sheet |
| 3 | 200451002 | Şasi 100x50x5 Çapraz Travers | Chassis Cross-Reinforcement 100x50x5 |
| 4 | 200451005 | Şasi Çapraz Travers Plakası (Büyük) | Chassis Cross-Reinforcement Plate (Major) |
| 5 | 200451007 | Şasi Üst Plaka | Chassis Upper Plate |
| 6 | 200451006 | Şasi Çapraz Travers Plakası (Küçük) | Chassis Cross-Reinforcement Plate (Minor) |
| 7 | 200451017 | Şasi Arka Destek Sacı | Chassis Rear Support Sheet |
| 8 | 200451019 | Şasi Su Tesisat Merkezleme Borusu | Chassis Water Installation Centering Pipe |
| 9 | 200451020 | 160x80 Profil Kapak Sacı | 160x80 Profile Cover Sheet |
| 10 | 200451003 | Şasi 100x50x5 Çapraz Travers (Kısa) | Chassis Cross-Reinforcement (Short) |
| 11 | 200451004 | 100x50x5 L=600 mm | 100x50x5 L=600 mm |



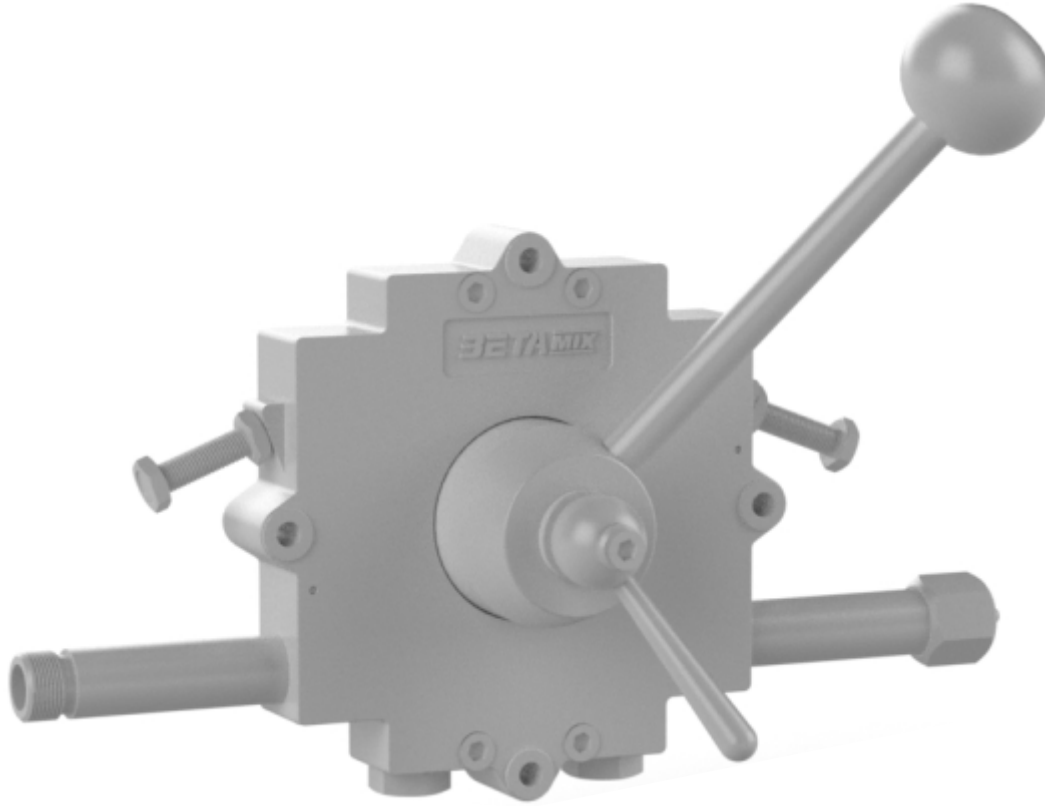
| | | TR | EN |
|-----------|--|----------|-------------|
| CODE | | AÇIKLAMA | EXPLANATION |
| 300400003 | | Merdiven | Ladder |

| | | TR | EN |
|----|-----------|---|---|
| # | CODE | AÇIKLAMA | EXPLANATION |
| 1 | 200403040 | Merdiven Üst Platform | Ladder Upper Platform |
| 2 | 200403003 | Merdiven Üst Platform Taban Sacı | Ladder Upper Platform Base Sheet |
| 3 | 100150003 | Cıvata DIN 931 (8.8) M6X20 | Bolt DIN 931 (8.8) M6X20 |
| 4 | 100150073 | Pul DIN125 M6 | Washer DIN125 M6 |
| 5 | 100150090 | Somun DIN 6923 M6 (8.8) | Nut DIN 6923 M6 (8.8) |
| 6 | 200403029 | Beta Merdiven Korkuluk | Beta Ladder Scarecrow |
| 7 | 100150015 | Cıvata M8 L=60 (8.8) Galvaniz (Yarım Dış) | Bolt M8 L=60 (8.8) Galvanized (Half-External) |
| 8 | 100150089 | Fiberli Somun M8 | Fibered Nut M8 |
| 9 | 200403039 | Merdiven Üst Parça Kısmı | Ladder Upper Part |
| 10 | 100130016 | Merdiven Profil Tapası | Ladder Profile Plug |
| 11 | 200403028 | Merdiven Üst Platform Alt Bağlantı Sacı | Ladder Upper Platform Base Connection Sheet |
| 12 | 100150028 | Cıvata DIN933 M14X50 (8.8) | Bolt DIN933 M14X50 (8.8) |
| 13 | 100150083 | Somun DIN985 M14 Fiberli | Fibered Nut DIN985 M14 |
| 14 | 200403021 | Merdiven Kilit Kancası | Ladder Lock Clamp |
| 15 | 100150020 | Cıvata Galvaniz M10x55 (8.8) | Galvanized Bolt M10x55 (8.8) |
| 16 | 100150065 | Washer DIN125 M10 | Pul DIN125 M10 |
| 17 | 100150082 | Fiberli Somun DIN985 M10 | Fibered Nut DIN985 M10 |
| 18 | 200403038 | Merdiven Alt Kısmı | Ladder Base Part |
| 19 | 200403034 | Kilit Kanca Pimi | Lock Clamp Pin |
| 20 | 200403037 | Hareketli Merdiven Konsolu | Mobile Ladder Support |
| 21 | 200403032 | Merdiven Bağlantı Pimi | Ladder Connection Pin |
| 22 | 100150112 | Kupilya Ø4XL 50 Galvaniz | Galvanized Joiner Pin Ø4XL 50 |
| 23 | 200403025 | Pul Ø45 L:12.5 | Washer Ø45 L:12.5 |
| 24 | 100150012 | DIN 931 M8 L:25 mm (8.8) Galvaniz | DIN 931 M8 L:25 mm (8.8) Galvanized |
| 25 | 100150072 | Galvaniz Pul M8 | Galvanized Washer M8 |
| 26 | 100150123 | Galvaniz Somun DIN 934 M8 | Galvanized Nut DIN 934 M8 |



| | TR | EN |
|----------|--------------------------|-----------------------|
| CODE | AÇIKLAMA | EXPLANATION |
| 40020086 | 3-Butonlu Kontrol Kutusu | 3-Buttons Control Box |
| 40020087 | 5-Butonlu Kontrol Kutusu | 5-Buttons Control Box |

| | TR | EN | |
|---|-----------|--|------------------------------|
| # | CODE | AÇIKLAMA | EXPLANATION |
| 1 | 100070054 | Emas B100fy Kalıcı Buton | Emas B100fy Perminant Button |
| 2 | 100070011 | Buton Start-Stop Yeşil (xb4ba31) | Start-Stop Button (Green) |
| 3 | 100070010 | Buton Start-Stop Kırmızı (xb4ba42) | Start-Stop Button (Red) |
| 4 | 100070097 | Plastik Contalı Malzeme Kutusu (Se-238-0-0-d-0) | Plastic Sealed Material Box |
| 5 | 100070056 | Plastik Cihaz Panosu Şeffaf Kapaklı (EC -1722 IP 65) | Plastic Device Panel |

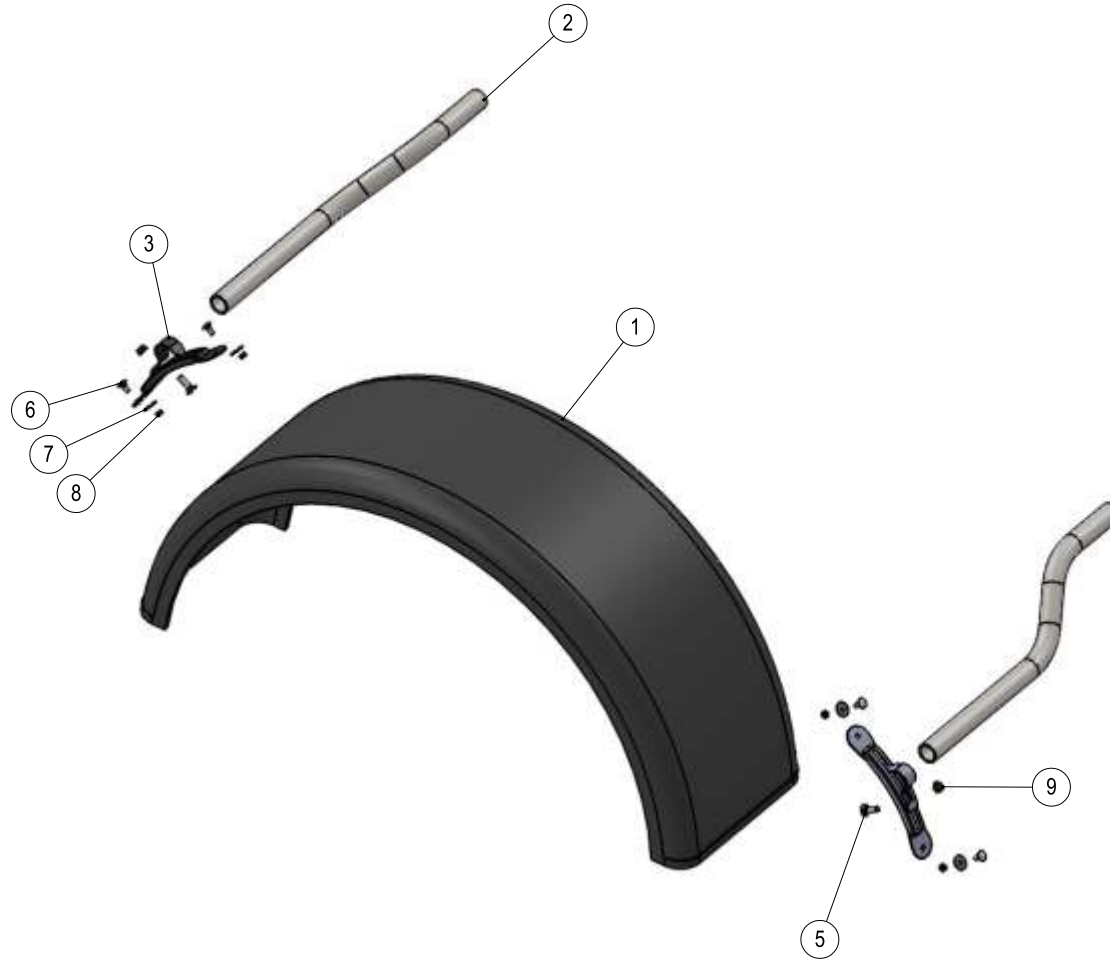


| | TR | EN |
|-----------|----------------------|----------------------|
| CODE | AÇIKLAMA | EXPLANATION |
| 100140017 | Tekli Kumanda Kutusu | Single Lever Control |



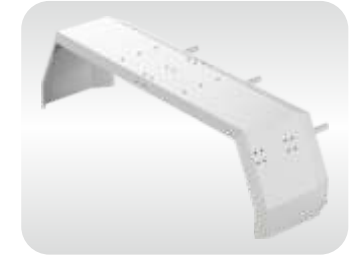
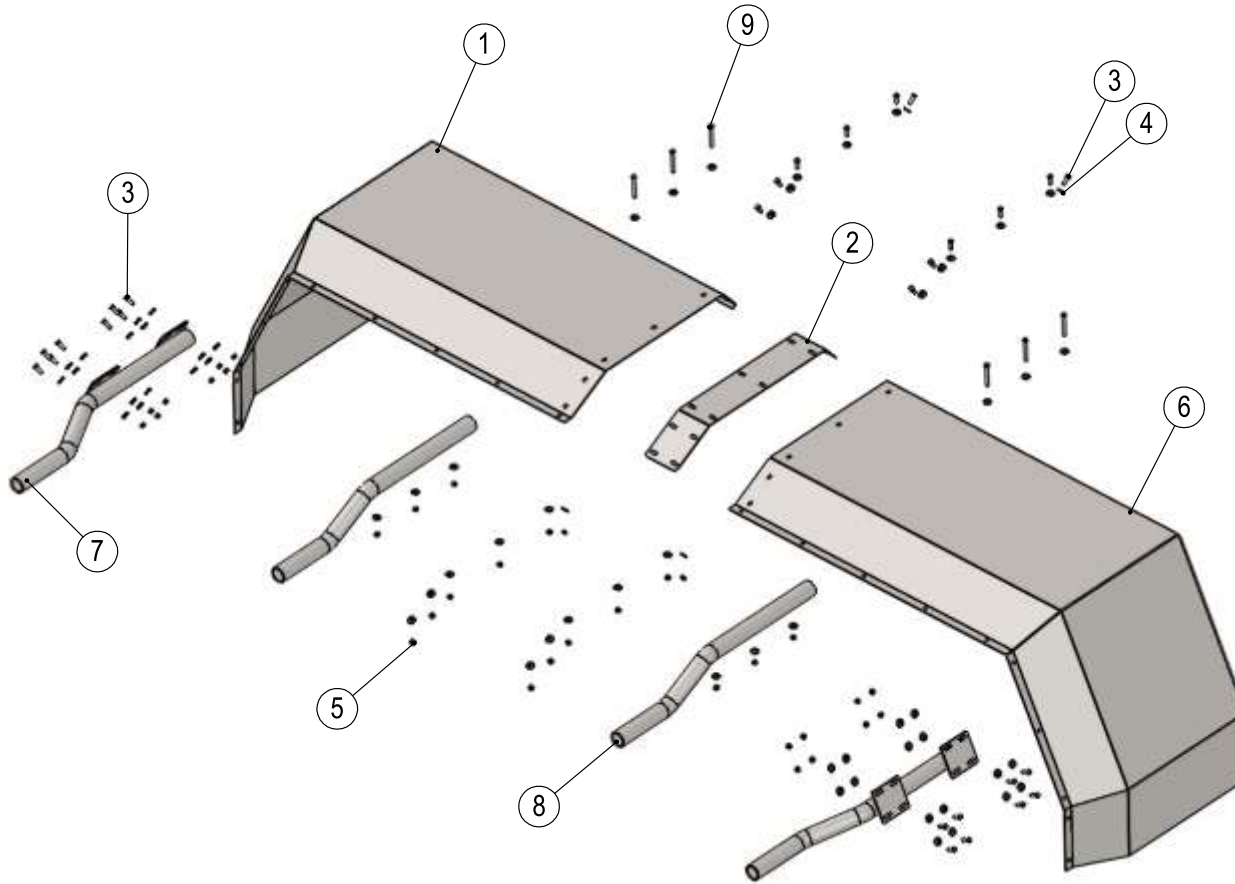
| TR | | EN |
|-----------|------------------------|-----------------------|
| CODE | AÇIKLAMA | EXPLANATION |
| 100140001 | Spiral Mikser 4908 mm. | Spiral Mixer 4908 mm. |
| 100140002 | Spiral Mikser 5108 mm. | Spiral Mixer 5108 mm. |
| 100140003 | Spiral Mikser 5676 mm. | Spiral Mixer 5676 mm. |
| 100140004 | Spiral Mikser 5908 mm. | Spiral Mixer 5908 mm. |
| 100140005 | Spiral Mikser 6308 mm. | Spiral Mixer 6308 mm. |
| 100140006 | Spiral Mikser 6676 mm. | Spiral Mixer 6676 mm. |
| 100140007 | Spiral Mikser 7108 mm. | Spiral Mixer 7108 mm. |
| 100140008 | Spiral Mikser 7608 mm. | Spiral Mixer 7608 mm. |
| 100140009 | Spiral Mikser 5500 mm. | Spiral Mixer 5500 mm. |
| 100140010 | Spiral Mikser 5750 mm. | Spiral Mixer 5750 mm. |
| 100140011 | Spiral Mikser 6000 mm. | Spiral Mixer 6000 mm. |
| 100140012 | Spiral Mikser 6250 mm. | Spiral Mixer 6250 mm. |
| 100140013 | Spiral Mikser 6500 mm. | Spiral Mixer 6500 mm. |
| 100140014 | Spiral Mikser 6750 mm. | Spiral Mixer 6750 mm. |
| 100140015 | Spiral Mikser 7000 mm. | Spiral Mixer 7000 mm. |
| 100140016 | Spiral Mikser 9500 mm. | Spiral Mixer 9500 mm. |

| TR | | EN | |
|----|-----------|----------------------------|-------------------------------|
| # | CODE | AÇIKLAMA | EXPLANATION |
| 1 | 200900071 | Spiral Halat Bağlantı Sacı | Meflex Cable Connection Sheet |
| 2 | 100150121 | Cıvata DIN7991 (8.8) M6X12 | Bolt DIN 7991 (8.8) M6X12 |
| 3 | 100140011 | Spiral Mikser | Spiral Mixer |



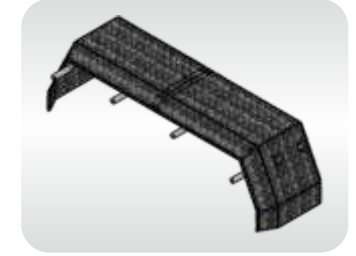
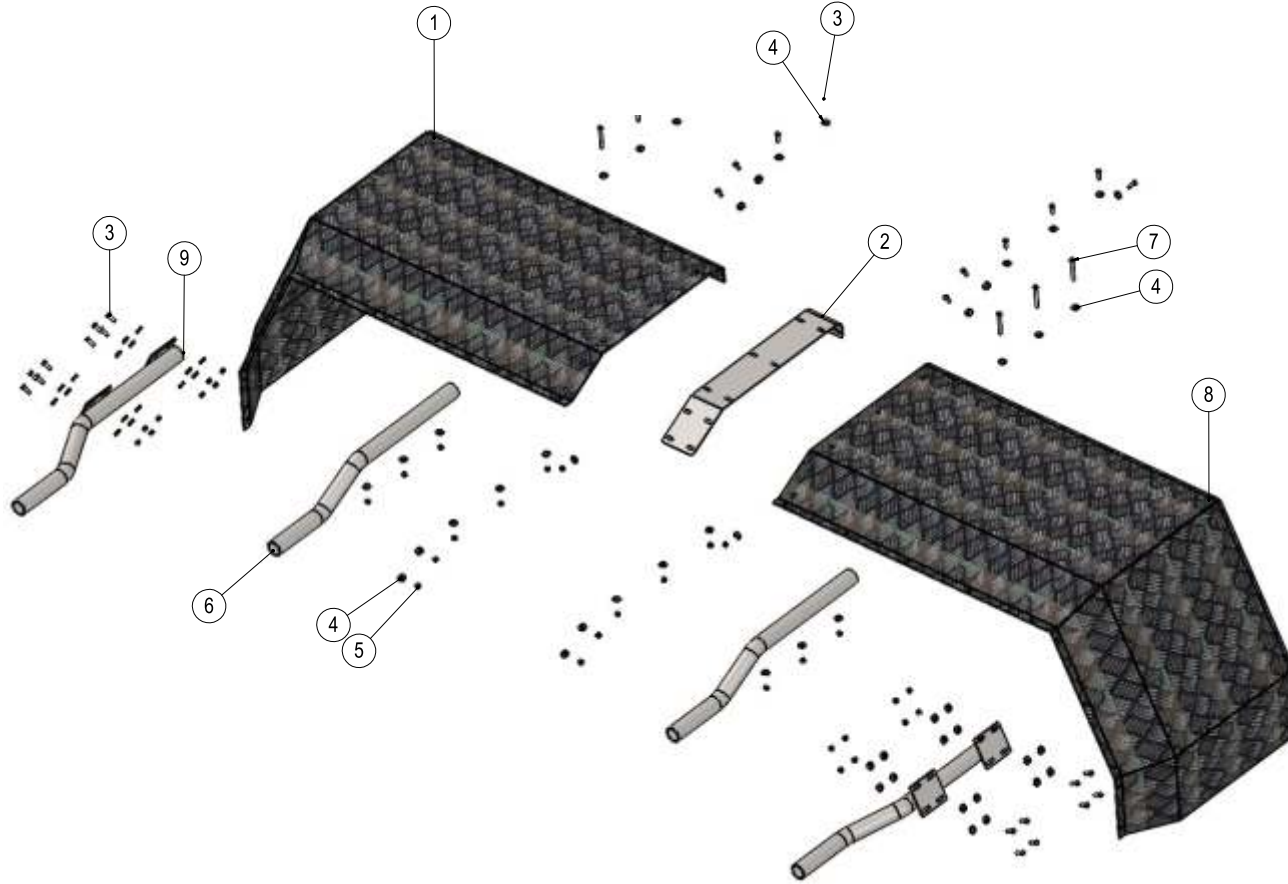
| | TR | EN |
|-----------|---------------------|------------------------------|
| CODE | AÇIKLAMA | EXPLANATION |
| 300750003 | Tek Teker Çamurluk | Single-Disk Plastic Mudguard |
| 300750004 | Çift Teker Çamurluk | Double-Disk Plastic Mudguard |

| | TR | EN | |
|---|-----------|---|---|
| # | CODE | AÇIKLAMA | EXPLANATION |
| 1 | 100230002 | Plastik Çamurluk Tek Teker | Single Disk Plastic Mudguard |
| 2 | 200754001 | Çamurluk Z Boru Ø42 | Mudguard Z Pipe Ø42 |
| 3 | 100230003 | Çamurluk Kelepçesi | Mudguard Clamp |
| 4 | 100150148 | Cıvata Galvaniz DIN 603 M8X20 (4.8) | Galvanized Bolt DIN 603 M8X20 (4.8) |
| 5 | 100150149 | Cıvata Galvaniz DIN 603 M8X20 (4.8) | Galvanized Bolt DIN 603 M8X20 (4.8) |
| 6 | 100150150 | Pul Galvaniz DIN 522 Ø 30x8.4x1.5 mm | Galvanized Washer DIN 522 Ø 30x8.4x1.5 mm |
| 7 | 100150123 | Somun Galvaniz DI 934 M8 | Galvanized Nut DI 934 M8 |
| 8 | 100150092 | Flanşlı Somun DIN 6923 M10 (8) Galvaniz | Flanged Nut DIN 6923 M10 (8) Galvanized |



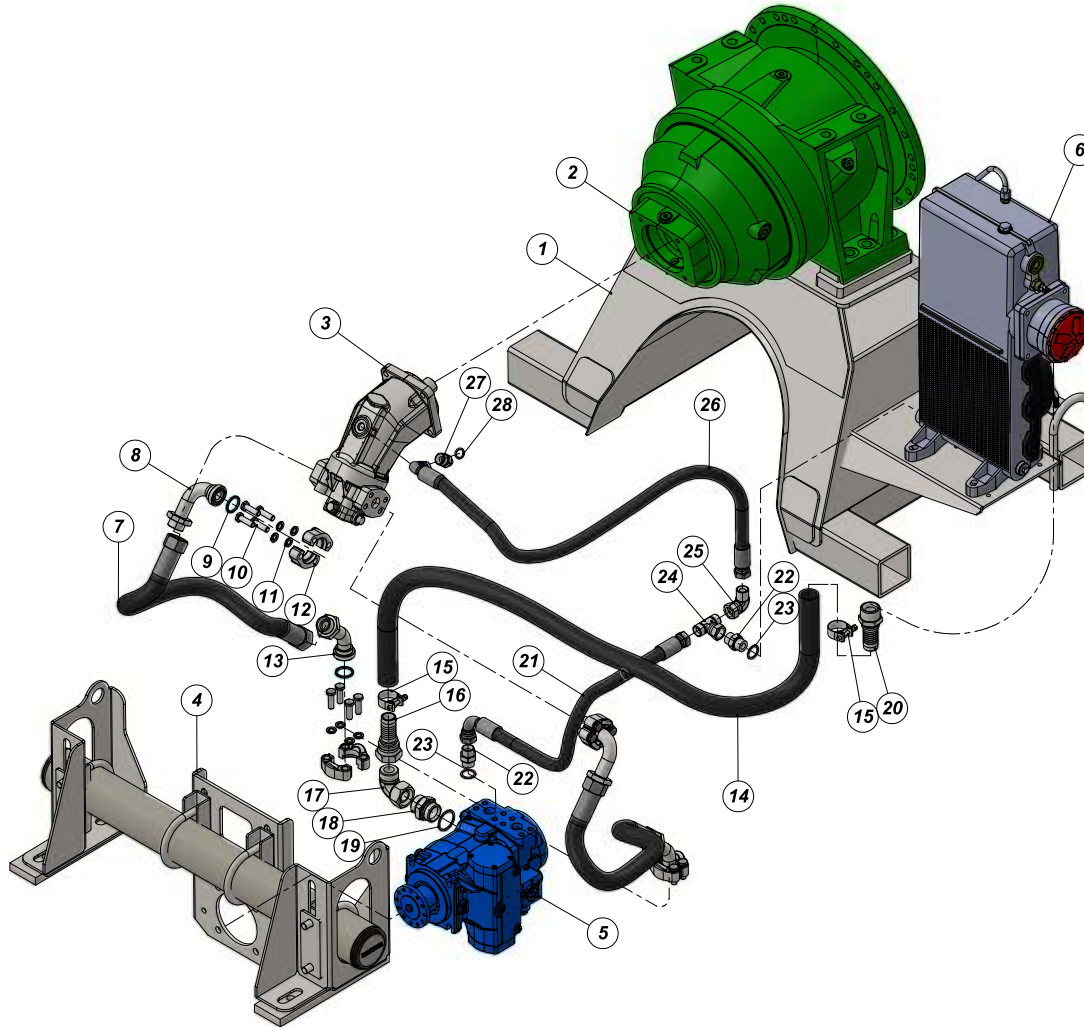
| | TR | EN |
|-----------|----------------|----------------|
| CODE | AÇIKLAMA | EXPLANATION |
| 300750006 | Çelik Çamurluk | Steel Mudguard |

| | TR | EN | |
|---|-----------|---------------------------------------|---------------------------------------|
| # | CODE | AÇIKLAMA | EXPLANATION |
| 1 | 200756001 | Tandem Çamurluk Sağ Sacı | Tandem Mudguard Sheet (Right) |
| 2 | 200756003 | Tandem Çamurluk Birleşim Parçası Sacı | Tadem Mudguard Connection Part Sheet |
| 3 | 100150012 | DIN 933 M8X 25 (8.8) Galvaniz | DIN 933 M8X 25 (8.8) Galvanized |
| 4 | 100150074 | Pul Ø22xØ8.4x2.3 mm Galvaniz | Washer Ø22xØ8.4x2.3 mm Galvanized |
| 5 | 100150089 | DIN 985 M8 Fiberli Somun (8) Galvaniz | Fibered Nut DIN 985 M8 (8) Galvanized |
| 6 | 200756002 | Tandem Çamurluk Sol Sacı | Tandem Mudguard Sheet (Left) |
| 7 | 200752005 | Beta Çamurluk Kaynaklı Boru Sacı | Beta Mudguard Welded Pipe Sheet |
| 8 | 200752004 | Beta Sac Çamurluk Borusu | Beta Sheet Mudguard Pipe |
| 9 | 100150124 | DIN 931 M8X70 (8.8) Galvaniz | DIN 931 M8X70 (8.8) Galvanized |



| | TR | EN |
|-----------|--------------------|--------------------|
| CODE | AÇIKLAMA | EXPLANATION |
| 300750001 | Alüminyum Çamurluk | Aluminium Mudguard |

| | TR | EN | |
|---|-----------|--|--|
| # | CODE | AÇIKLAMA | EXPLANATION |
| 1 | 200751004 | Alüminyum Tandem Çamurluk (Sağ Kaynaklı) | Aluminium Tandem Mudguard (Right-Welded) |
| 2 | 200751002 | Tandem Alüminyum Birleşim Parçası | Tandem Aluminium Connection Part |
| 3 | 100150012 | DIN 933 M8X 25 (8.8) Galvaniz | DIN 933 M8X 25 (8.8) Galvanized |
| 4 | 100150074 | Pul Ø22xØ8.4x2.3mm Galvaniz | Galvanized Washer Ø22xØ8.4x2.3mm |
| 5 | 100150089 | DIN 985 M8 Fiberli Somun (8) Galvaniz | Fibered Nut DIN 985 M8 (8) Galvanized |
| 6 | 200752004 | Beta Sac Çamurluk Borusu | Beta Sheet Mudguard Pipe |
| 7 | 100150124 | DIN 931 M8X70 (8.8) Galvaniz | DIN 931 M8X70 (8.8) Galvanized |
| 8 | 200751005 | Alüminyum Tandem Çamurluk (Bol Kaynaklı) | Aluminium Tandem Mudguard (Ample-Welded) |



| # | CODE | TR AÇIKLAMA | EN EXPLANATION |
|----|-----------|---|---|
| 1 | 300150011 | 10m3 P Model Ön Konsol | 10m3 P-Model Front Support |
| 2 | 100180001 | Redüktör ZF-P7300 | Gearbox ZF P-7300 |
| 3 | 100120005 | Bosch-Rexroth A2FM Hidrolik Motor | Bosch-Rexroth A2FM Hydraulic Motor |
| 4 | 300890003 | Beta B2 Pompa Konsolu | Beta B2 Pump Support |
| 5 | 100110005 | Bosch-Rexroth A4VTG Hidrolik Pompa | Bosch-Rexroth A4VTG Hydraulic Pump |
| 6 | 100100001 | ASA 24 V Yağ Soğutucu | ASA 24 V Oil Cooler |
| 7 | 100270105 | SEL 1" 4SH Hidrolik Hortum 35.4 mm 420 Bar 724mm-1" M36X2 Somunlu D-D | SEL 1" 4SH Hydraulic Hose 35.4 mm 420 Bar 724mm-1" M36X2 w/ Nut D-D |
| 8 | 100270098 | M36x2 47mm Flanş Adaptör (90 Derece) | M36x2 47mm Flange Adaptor (90 Degree) |
| 9 | 100270049 | 47mm Flanş O-Ring | 47mm Flange O-Ring |
| 10 | 100150182 | Galvaniz Cıvata DIN933 M12X40 (10.8) | Galvanized Bolt DIN933 M12X40 (10.8) |
| 11 | 100150183 | DIN127 M12 Rondela Galvaniz | DIN127 M12 Roundel Galvanized |
| 12 | 100270103 | FK 1 6000 Yarım Kep | FK 1 6000 Demilune Cap |
| 13 | 100270097 | M36X2 47 mm Flanş Adaptör (45 Derece) | M36X2 47 mm Flange Adaptor (45 Degree) |
| 14 | 100010041 | SEL 1 1-4 R4 Hidrolik Hortum 43.5mm 10 Bar 1700mm | SEL 1 1-4 R4 Hydraulic Hose 43.5mm 10 Bar 1700mm |
| 15 | 100240008 | 40x43 Tork Özel Tip Kelepçe | 40x43 Torc Special Type Clamp |
| 16 | 100270102 | HR. 1 1-4 M42X2 Somunlu Düz | HR. 1 1-4 M42X2 w/ Nut |
| 17 | 100270104 | M42X2-30S Döner Dirsek | M42X2-30S Rotating Elbow |
| 18 | 100270110 | M42X2 30S Nipel | M42X2 30S Nipple |
| 19 | 100270111 | M42 Bakır Pul | M42 Copper Washer |
| 20 | 100270101 | 1 1/4" X 1 1/4" NPT Erkek Hortum Rakoru | 1 1/4" X 1 1/4" NPT Male Hose Coupling |
| 21 | 100270106 | SEL 3/4" R1 Hidrolik Hortum 27.5 mm 45 Bar 996mm-3/4"-3/4" BSP D-90 | SEL 3/4" R1 Hydraulic Hose 27.5 mm 45 Bar 996mm-3/4"-3/4" BSP D-90 |
| 22 | 100270100 | HR. ¾ M26X1.5 Nipel | HR. ¾ M26X1.5 Nipple |
| 23 | 100270112 | M26 Bakır Pul | M26 Copper Washer |
| 24 | 100270076 | HR.3-4 BSP OBT | HR.3-4 BSP OBT |
| 25 | 100270107 | HR. ¾ Ters Dirsek | HR. ¾ Reverse Elbow |
| 26 | 100270107 | SEL 3/4" R1 Hidrolik Hortum 27.5mm 45 Bar 1296mm-3/4" BSP D-90 | SEL 3/4" R1 Hydraulic Hose 27.5mm 45 Bar 1296mm-3/4" BSP D-90 |
| 27 | 100270099 | M18X1.5 Blok ¾ Havşal Nipel | M18X1.5 Blok ¾ Sunk Nipple |
| 28 | 100270113 | M18 Bakır Pul | M18 Copper Washer |



1



2



3

| | | TR | EN |
|-----|-----------|----------------------------|------------------------|
| # | CODE | AÇIKLAMA | EXPLANATION |
| 1.1 | 100110006 | Eaton 6423 Pompa | Eaton 6423 Pump |
| 1.2 | 100110007 | Eaton 5423 Pompa | Eaton 5323 Pump |
| 2 | 100110001 | Rexroth A4VTG Serisi Pompa | Rexroth A4VTG Pump |
| 3.1 | 100110002 | Hydrosila PVH 112 Pompa | Hydrosila PVH 112 Pump |
| 3.2 | 100110003 | Hydrosila PVH 90 Pompa | Hydrosila PVH 90 Pump |



1



2

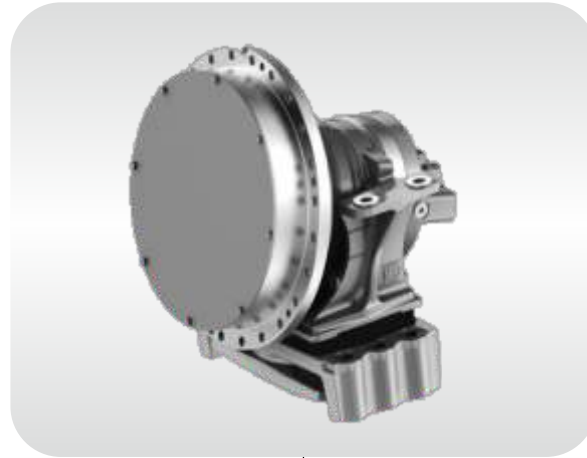


3

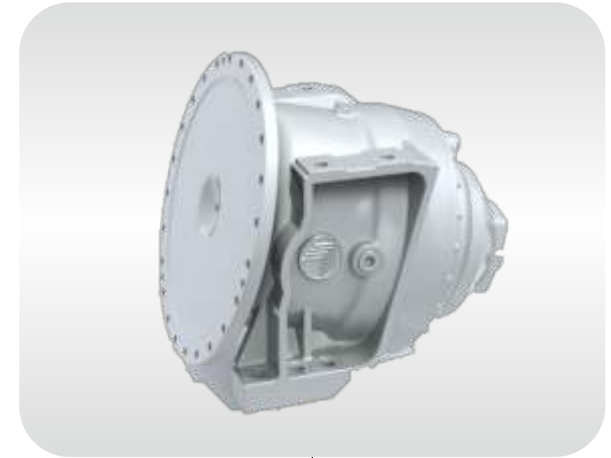
| # | CODE | TR | | EN | |
|-----|-----------|---------------------------|---------------------------|-------------|--|
| | | AÇIKLAMA | | EXPLANATION | |
| 1.1 | 100120006 | Eaton 5433 Motor | Eaton 5433 Motor | | |
| 1.2 | 100120007 | Eaton 4633 Motor | Eaton 4633 Motor | | |
| 2 | 100120003 | Rexroth A2FM Serisi Motor | Rexroth A2FM Series Motor | | |
| 3.1 | 100120002 | Hydrosila MFH 90 Motor | Hydrosila MFH 90 Motor | | |
| 3.2 | 100120001 | Hydrosila MFH 71 Motor | Hydrosila MFH 71 Motor | | |



1

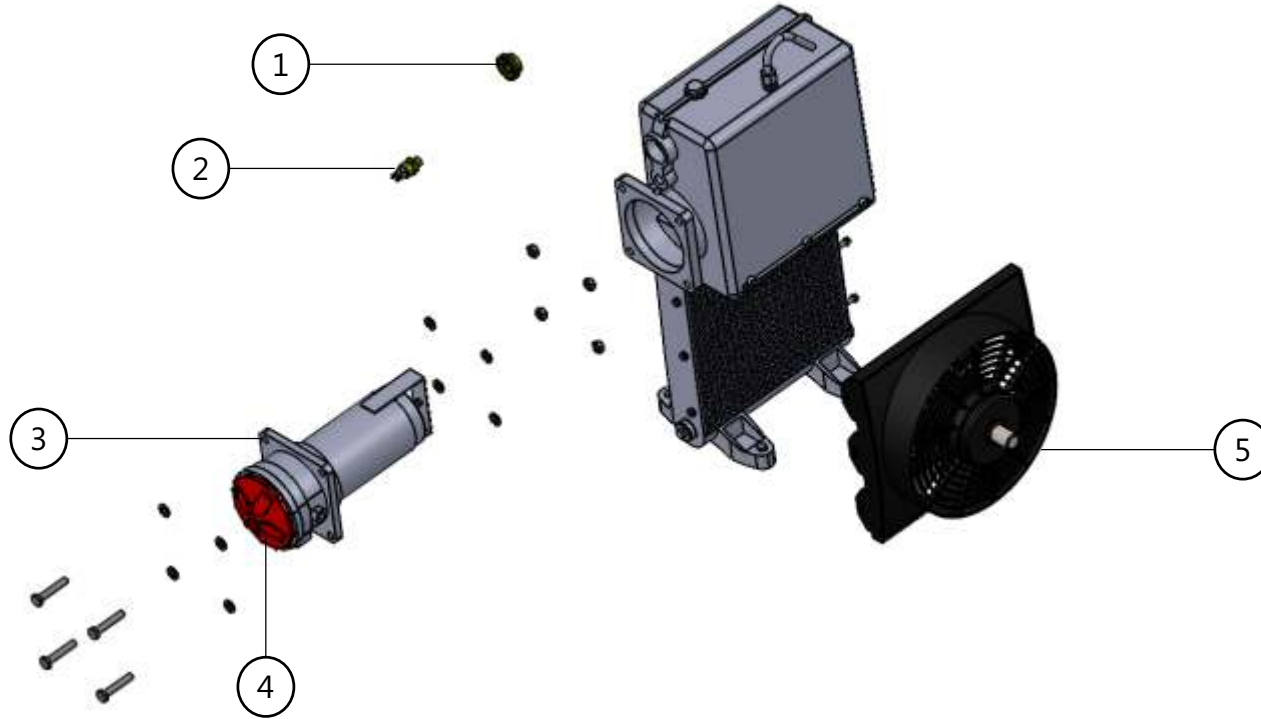


2



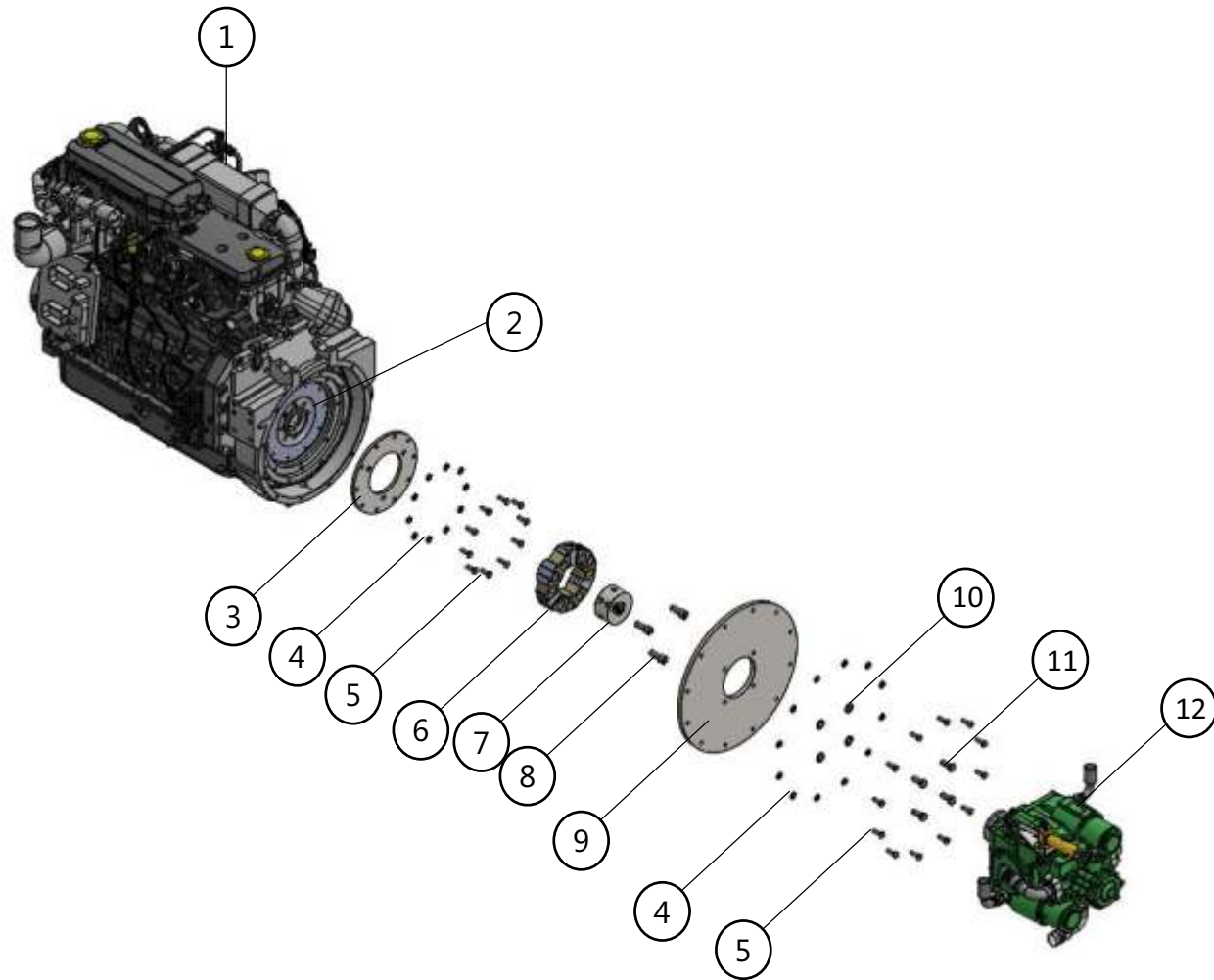
3

| | | TR | EN |
|-----|-----------|------------------------------------|-----------------------------------|
| # | CODE | AÇIKLAMA | EXPLANATION |
| 1.1 | 100180003 | ZF P5300 Redüktör | ZF P-5300 Gearbox |
| 1.2 | 100180001 | ZF P7300 Redüktör | ZF P-7300 Gearbox |
| 2 | 100180002 | ZF CML 12 Redüktör | ZF CML-12 Gearbox |
| 3.1 | 100180006 | Bonfiglioli Trasmital 580 Redüktör | Bonfiglioli Trasmital 580 Gearbox |
| 3.2 | 100180004 | Bonfiglioli Trasmital 577 Redüktör | Bonfiglioli Trasmital 577 Gearbox |



| | TR | EN |
|-----------|------------------|----------------|
| CODE | AÇIKLAMA | EXPLANATION |
| 100100003 | ASA Yağ Soğutucu | ASA Oil Cooler |

| | TR | EN | |
|---|-----------|--|--|
| # | CODE | AÇIKLAMA | EXPLANATION |
| 1 | 100090077 | ASA Hidrolik Yağ Soğutucu Yağ Seviye Göstergesi G1" | ASA Hydraulic Oil Cooler Level Indicator G1" |
| 2 | 100090076 | ASA Hidrolik Yağ Soğutucu Müşir G 1/2" 70° C | ASA Hydraulic Oil Cooler Termoswitch G 1/2" 70° C |
| 3 | 100090078 | ASA Hidrolik Yağ Soğutucu Yağ Filtre Kartuş Kiti | ASA Hydraulic Oil Cooler Oil Filter Catridge Kit |
| 4 | 100090079 | ASA Hidrolik Yağ Soğutucu Yağ Filtre Kartuşu | ASA Hydraulic Oil Cooler Oil Filter Catridge |
| 5 | 100090075 | ASA Hidrolik Yağ Soğutucu Fan Motoru Orijinal 24 V (Kabinli) | ASA Hydraulic Oil Cooler Fan Motor Original 24 V (Cabinet) |



| CODE | TR AÇIKLAMA | EN EXPLANATION |
|-----------|----------------|-------------------|
| 300940004 | İlave Motor | Auxiliary Motor |

| # | CODE | TR AÇIKLAMA | EN EXPLANATION |
|----|-----------|---|---|
| 1 | 100120009 | 6 Silindir İlave Motor | 6-Cylinder Auxiliary Motor |
| 2 | 200944003 | Harici Motor Volan Dişlisi | Auxiliary Motor Flywheel Gear |
| 3 | 200944002 | Harici Motor Volan Dişlisi Flanşı | Auxiliary Motor Flywheel Gear Flange |
| 4 | 100150065 | DIN 125 M10 Pul Galvaniz | Galvanized Washer DIN 125 M10 |
| 5 | 100150018 | DIN 933 M10X30 (8.8) Galvaniz Cıvata | Galvanized Bolt DIN 933 M10X30 (8.8) |
| 6 | 100290037 | 30H Motor Kaplini | 30H Motor Couplig |
| 7 | 100290042 | 23 Diş Metal İlave Motor Göbek Kaplini | 23-Gear Metal Added Motor Coupling |
| 8 | 100150181 | DIN 912 M166X40 (8.8) Imbus Cıvata Galvaniz | Galvanized Imbus Bolt DIN 912 M166X40 (8.8) |
| 9 | 200944001 | Harici Motor Pompa Flanşı | Auxiliary Motor Pump Flange |
| 10 | 100150067 | DIN125 M14 Pul | Washer DIN125 M14 |
| 11 | 100150162 | DIN933 M14X35 (8.8) Cıvata Galvaniz | Galvanized Bolt DIN933 M14X35 (8.8) |
| 12 | 100110006 | Hidrolik Pompa Çeşidi | Hydraulic Pump Type |

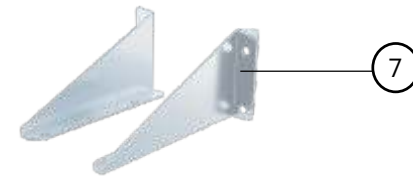
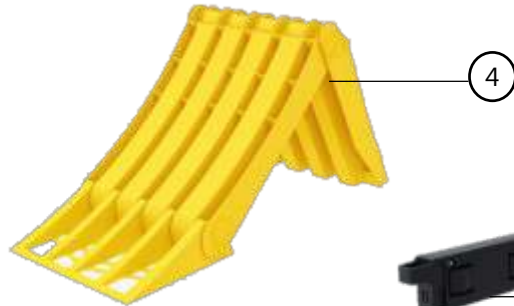


| | TR | EN |
|------|----------|-------------|
| CODE | AÇIKLAMA | EXPLANATION |
| | Şaft | Shaft |

| | TR | EN | |
|---|-----------|--|---|
| # | CODE | AÇIKLAMA | EXPLANATION |
| 1 | 100080001 | FORD 4142 Şaft (L:530/LMIN:500/LMAX:560) | FORD 4142 Shaft (L:530/LMIN:500/LMAX:560) |
| 2 | 100080002 | MERCEDES Şaft (L:500/LMIN:460/LMAX:530) | MERCEDES Shaft (L:500/LMIN:460/LMAX:530) |
| 3 | 100080003 | Şaft (L:840/LMIN:810/LMAX:870) | Shaft (L:840/LMIN:810/LMAX:870) |
| 4 | 100080004 | FORD Şaft (L:580/LMIN:560/LMAX:620) | FORD Shaft (L:580/LMIN:560/LMAX:620) |



| # | CODE | TR AÇIKLAMA | EN EXPLANATION |
|---|-----------|---|---|
| 1 | 400200072 | Hortum Seti Hydrosila | Hose Set Hydrosila |
| 2 | 400200097 | Hortum Seti Motorlu 580 & P-7300 & P-5300 & Bosch-Rexroth | Hose Set w/ Motor 580 & P-7300 & P-5300 & Bosch-Rexroth |
| 3 | 400200098 | Hortum Seti Motorlu 580 & P-7300 & P-5300 & Eaton | Hose Set w/ Motor 580 & P-7300 & P-5300 & Eaton |
| 4 | 400200099 | Hortum Seti Motorsuz CML-12 & Bosch-Rexroth | Hortum Seti Motorsuz CML-12 & Bosch-Rexroth |
| 5 | 400200100 | Hortum Seti Motorsuz CML-12 & Eaton | Hortum Seti Motorsuz CML-12 & Eaton |
| 6 | 400200101 | Hortum Seti CML-12 - Hydrosila (D+90) | Hortum Seti CML-12 - Hydrosila (D+90) |
| 7 | 400200093 | Hortum Seti Treyler P-7300 & Eaton | Hortum Seti Treyler P-7300 & Eaton |
| 8 | 400200094 | Hortum Seti Treyler P-7300 & Bosch-Rexroth | Hortum Seti Treyler P-7300 & Bosch-Rexroth |
| 9 | 400200095 | Hortum Seti Treyler CML-12 & Bosch-Rexroth | Hortum Seti Treyler CML-12 & Bosch-Rexroth |



| # | CODE | TR AÇIKLAMA | EN EXPLANATION |
|---|-----------|--|---|
| 1 | 100230015 | DAKEN 31 LT Malzeme Dolabı, (500x350x300) | DAKEN JUST 500-R, Toolbox in PP, (500x350x300) |
| 2 | 100230016 | DAKEN 127 LT. Malzeme Dolabı, (826x500x470) | DAKEN JUST 800, Toolbox in PP, (826x500x470) |
| 3 | 100230012 | DAKEN Yangın Söndürme Dolabı, Ø 150-170, (310x610x247) | DAKEN ADAMANT 6 kg, Cabinet (B/B) in PP for Extinguisher Ø 150-170, (310x610x247) |
| 4 | 100230017 | LOKHEN Katlanabilir Takoz, 472X199X230 | LOKHEN Foldable Yellow PP Chock (DIN 76051/53) Origamy *472X199X230 |
| 5 | 100230018 | LOKHEN Takoz Plastik Sabitleme Desteği, 177X68X44 | LOKHEN Plastic Fixing Support Double for Origamy 53 *177X68X44 |
| 6 | 100230019 | LOKHEN Su Tankı 30 LT. | Water Tank in Black Plastic "SQUARE" With Soap Holder *LT. 30 |
| 7 | 100230020 | LOKHEN Su Tankı Aparatı | Zinc Plated Brackets Pair for Water Tank |



BETA MIX[®]

BETA İŐ MAKİNALARI SAN. VE TİC. LTD. ŐTİ.

Malıköy Mah. BaŐkent OSB. 56. Sk. No: 1/1, Sincan / Ankara

T: (0850) 223 23 82

www.beta-mix.com.tr